

X510-2

April 2011

Supersedes X510-2 dated January 2002

SPICER®



Light Axle Parts for Ford Applications 1999-2011

Changes from original:

Page 34 - B/M 2003729-1 - Ring Gear & Pinion Kit is 2007117(10)

Page 62 - B/Ms 606207-3 and 606207-7 - Ring Gear & Pinion Kit is 708074-5 for both

Page 78 - BM # 2005580-4 - ratio is 4.10 and Ring Gear & Pinion Kit is 708120-6

Page 47 - BM # 2001024-2 Differential type is Trac Lok

Page 81 - 2002831 & 32, Inner Pinion Brg Kit is 707447X



How to Use This Catalog

This catalog contains applications and part listings for front and rear axles which fit Ford vehicles with model years **1999** and newer. For information on model years between **1967-1978**, please refer to catalog X510-8DSD; Ford model years **1979-1999** refer to X510-9. For miscellaneous models from years **1979-1984**, please refer to X510-7DSD.

The data in this publication is arranged by make, then in numerical order by model for front axles and then for rear axles. Each model contains the following three sections as appropriate:

- Parts Listing and Exploded View**

This section contains an exploded view of the axle and lists all the part numbers for those parts illustrated. The parts that do not have a common part number have a footnote reference indicating where to find the correct part number for each Bill of Material.

X510-2

80 /286 Rear Parts Listing



ITEM NO.	PART NUMBER	DESCRIPTION	ITEM NO.	PART NUMBER	DESCRIPTION
1	-(3)	Housing - Axle Service	25	42413	Pinion - Differential (std)
2	-(1)	Drive Pinion & Gear kit	26	-(2)	Gear - Differential (std)
3	-(2)	Inner Pinion Bearing Kit	27	35082	Thrustwasher - Diff Pinion (std)
	-(2)	KIT - Pinion Brg Adj Shim (inc 4, 5, 11, 12)	28	34729	Thrustwasher - Diff Gear (std)
	-(2)	KIT - Diff & Pinion Shim (inc 4, 5, 10, 11, 20)	29	46640	Shaft - Differential (std)
4	-(1)	Inner Pinion Adj Shim	30	-(2)	Seal - Oil (Inner Wheel)
			31	-(2)	Bearing Cone - Inner Wheel
				-(3)	Bearing Cup - Inner Wheel

- Bill of Material Table**

This section contains vehicle applications listed in order by year. Included in the table are the major kits and assemblies for each Bill of Material number.



80 /286 Rear Bill of Material Table

X510-2

Axle			Axle Kits				Shaft & Joint Assy.	
Bill of Material	Diff. Type	Ratio	Ring Gear & Pinion Kit ⁽⁷⁾	Differential			Right Hand Shaft Assy.	Left Hand Shaft Assy.
				Case Assy. Kit ⁽⁸⁾	Case Kit	Inner Parts Kit		
1999 E-350 Super Duty - DRW - Full Float								
606144-1	Standard	4.10	707361-12X	707330X	707230X	707063X	46930-1	46930-2
606144-3	Standard	4.63	707361-5X	707330X	707230X	707063X	46930-1	46930-2
1999 1/2 E-450 Super Duty DRW w/ABS								
606217-1	Standard	4.10	707361-12X	708031	708032	707063X	46930-1	46930-2
606217-2	Standard	4.63	707361-13X	708031	708032	707063X	46930-1	46930-2
1999 1/2 F-450 Motor Home DRW-Full Float w/ABS								
605944-1	Standard	5.38	708120-11	707394X	707395X	707185X	47852-1	47852-1

- **Variable Parts Table**

This section contains the individual part numbers that vary by Bill of Material number for a given model.

X510-2

80 /286 Rear Variable Parts Listing



Kits & Parts - Use With All Applications							
Description & Item Number (Refer to "Exploded View" at the front of this section)			Bills of Material				
			605944	606144 606217	606224	606225	606226 606227
1	Inner Pinion Bearing Kit	3	707447X	707065X	707447X	707447X	707447X
2	KIT - Pinion Brg Adj Shim	-	707480X	707066X	707480X	707480X	707480X
3	KIT - Diff & Pinion Shim	-	707481X	707365X	707481X	707481X	707481X
4	Seal - Oil	-	51180	-	51180	51180	51180
5	End Yoke or Comp.Flange (inc 10)	9	3-4-11281-1X	76809X	84061	84062	84061
6	Slinger - End Yoke	10	231872	42432	51182	51182	51182
7	KIT - Carrier Cover	-	707478X	707231X	707479X	707478X	707479X
8	Cover - Carrier	13	47843	42434	47717-1	47843	47717-1
9	Bolt - Carrier Cover (qty 10)	15	34822	34822	34822	47508	34822

Note: Additional information on Spicer axles can be found in our General Information catalog number XGI. It contains the following sections:

- Bill of Material Numerical Listing
- Ring and Pinion Kits
- Differential Case Assembly Kits
- Axle Shaft Dimension and Components

General Information

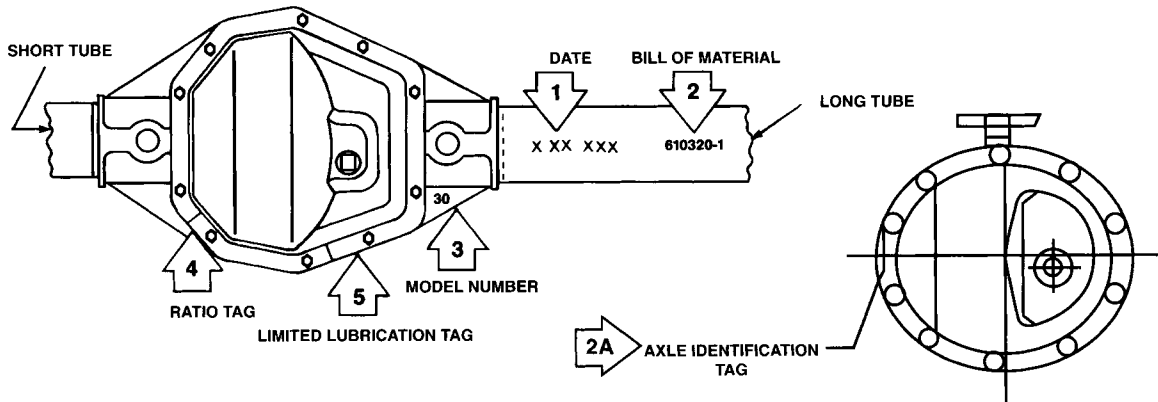
How To Identify A Spicer Axle

All Spicer Carrier Type axles are identified with a manufacturing date (1) and Bill of Material number (2) stamped on the right or left hand tube on driving axles. The Bill of Material number may also be found on the carrier in some models as shown in illustration (2A). For independent front suspension (IFS) axles, the B/M number may be located at one of three locations: 1). A vertically positioned tag near the center of the right hand side support arm, 2) stamped into the left hand side support arm (opposite end of the camber adjuster), or 3) stamped into the "nose end" of the axle carrier. The location of the information will depend on the manufacturing date of the axle.

The axle model number will be cast into one of the webs as shown (3), or it can be on the nose.

Each axle contains a gear ratio tag (4), and if the axle is equipped with a limited slip differential, it will have a tag specifying the type of limited slip lubricant to be used (5).

Refer to the appropriate model number section for parts identification and a breakdown of the Bill of Material.



How To Change Gear Ratios

To increase or decrease a gear ratio, there are certain steps that must be taken. The differential case depends upon the ratio desired. For each axle model, there is a high-ratio and a low-ratio case as illustrated below:

Axle Model	Low Ratio Case	High Ratio Case	Axle Model	Low Ratio Case
High Ratio Case				
Model 27	3.73 and Down	3.92 and Up	Model 50	4.10 and Down
Model 28	3.45 and Down	3.73 and Up	Model 60	4.10 and Down
Model 28 IFS Aerostar	2.27, 3.73	—	Model 61	4.56 and Up
Model 30	3.55 and Down	3.73 and Up	Semi Float	3.00 and 3.07 only
Model 35	2.35 only	—	Model 61	
Model 35	2.73 - 3.31	3.54 and Up	Full Float	3.31 and Down
Model 36 ICA	2.73 and Down	3.07 and Up	Model 70	3.54 and Up
Model 44	3.73 and Down	3.92 and Up	Model 70	4.10 and Down
Model 44 ICA			Model 70-3HD	3.42 and Down
1984 & earlier	3.73 and Down	3.92 and Up	Model 70-2UA	3.07 only
Model 44 ICA			Model 80	3.73 and Down
1985 & later	2.87 and Down	3.07 and Up		4.10 and Up

Example - If you have a model 44 Rear Axle with a 3.54 ratio and wish to change to a 3.73 ratio, you change only the ring gear and pinion assembly. If you change the ratio to a 4.09, you must change to a high-ratio case in addition to changing the ring gear and pinion. The application section will show you what case to use. When the vehicle is equipped with both front and rear driving axles, the gear ratios must be the same in both axles. **The drive gear screws are self-locking and must be replaced with new screws each time that they are removed.**

How Limited Slip Differentials Operate

A conventional differential transmits all the ring gear torque through the differential gears to the axle shafts. Torque is at all times equal on the axle shafts, and if one wheel slips, the other wheel can only put out as much torque as the slipping wheel.

The Spicer Limited Slip differential has the same power flow as a conventional differential, plus a more direct flow which automatically takes effect as driving conditions demand. This more direct power flow is from the differential case to each axle shaft through a clutch plate and disc arrangement.

Arrangement of these plates and discs is at the option of the vehicle manufacturer, so care should be taken during disassembly to note the arrangement of these components.

The Limited Slip construction permits differential action when required for turning corners and transmits equal torque to both wheels when driving straight ahead. However, when one wheel tries to spin due to leaving the ground, a patch of ice, etc., the clutch packs automatically provide more torque to the wheel which is not trying to spin.

The Limited Slip differential resists wheel spin on bumpy roads and provides more pulling power when one wheel tries to slip. In many cases of differences in traction, pulling power will be automatically provided until both wheels start to slip.

In diagnosis of vehicle operators' complaints, it is important to recognize two things.

1. If, with unequal traction, both wheels slip, the Limited Slip Differential has done all it can possibly do.
2. In extreme cases of differences in traction, the wheel with the least traction may spin after the Limited Slip has transferred as much torque as possible to the non-slipping wheel.

How To Distinguish a Powr-Lok™ from a Trac-Lok™

All Models **except Models 70/267 and 80/286**: The Powr-Lok design is identified by its 2-piece case. The Trac-Lok design is identified by its 1-piece case.

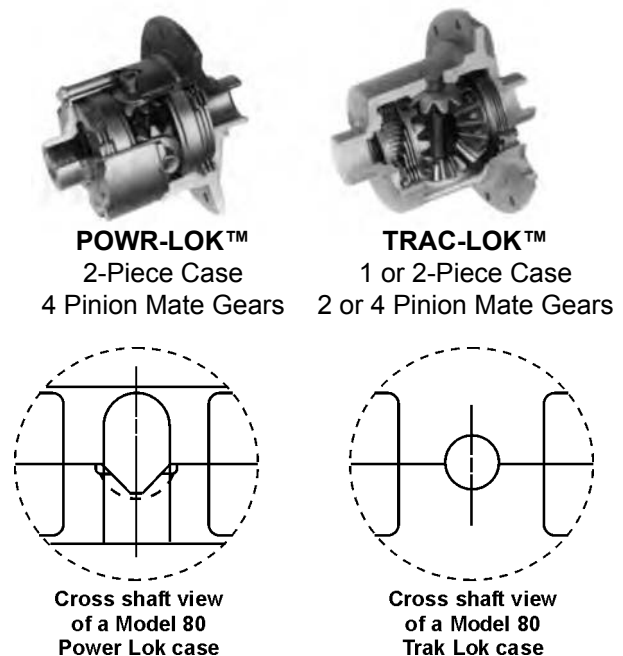
Models 70/267 and 80/286 only: Both the Powr-Lok and the Trac-Lok use 2-piece cases in the model 70 (267) and 80 (286) axle. The difference between the two is in the shape of the holes for the cross shaft. The Powr-Lok case will have cross shaft holes that are "U" shaped in one case half and "V" shaped in the other case half. The Trac-Lok case will have cross shaft holes that are semicircles in both case halves.

Model 80/286 only: It is also possible to replace an existing Powr-Lok unit with a complete Trac-Lok unit. For this purpose, the differential case assembly must be replaced.

How To Obtain Special Service Tools

Special service tools (see service manuals) can be obtained from the following company:

Kent-Moore
 OE Tool and Equipment Group
 SPX Corporation
 28635 Mound Road
 Warren MI 48092-3499
 (800) 345-2233
www.servicesolutions.spx.com

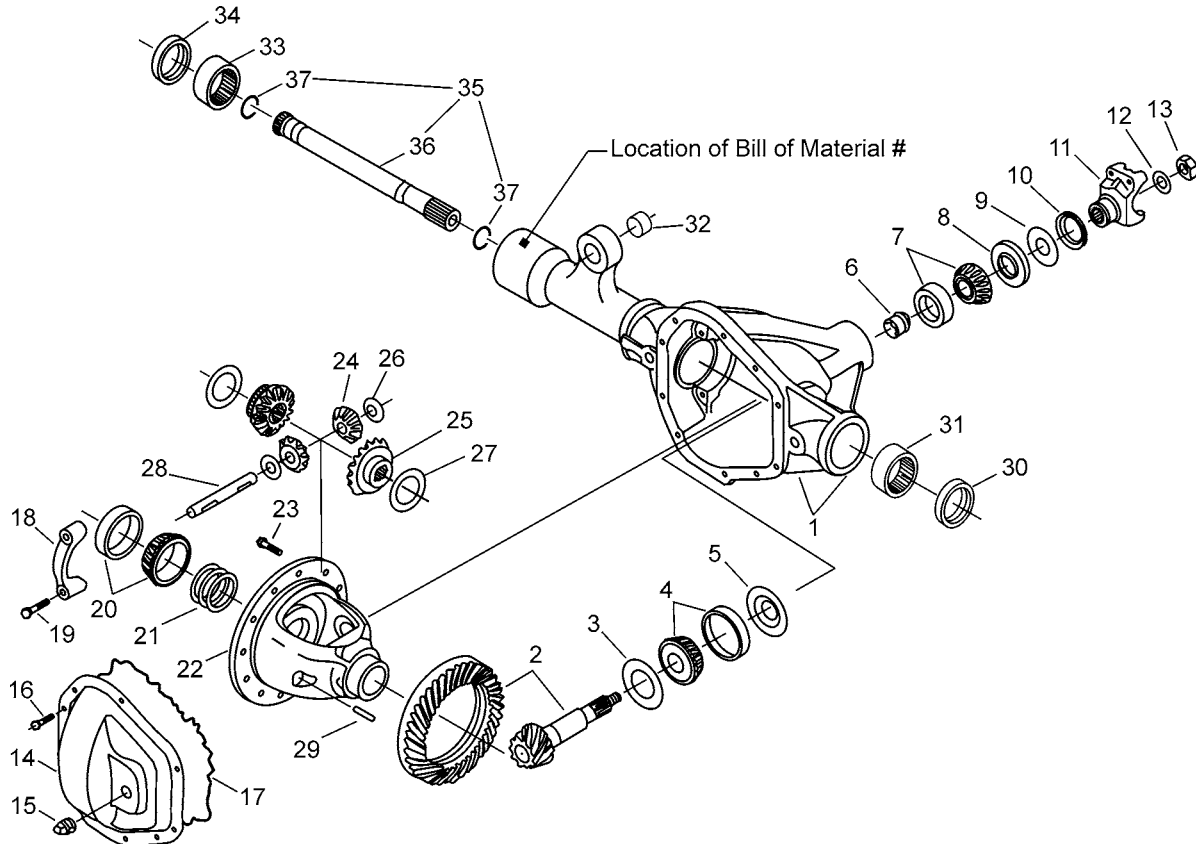


SPICER® LIGHT AXLE KITS



Model Super 30 /186 Front Axles for Explorer

Ford Super 30 /186 Front for Explorer Exploded View



Parts Listing

ITEM NO.	PART NUMBER	DESCRIPTION	ITEM NO.	PART NUMBER	DESCRIPTION
1	-(3)	Housing - Axle Service	20	706016X	Differential Bearing Kit
2	-(1)	Ring Gear & Pinion Kit	21	701004X	PKG - Diff Adjustment Shim
3	701112X	PKG - Pinion Adj Shim	22	-(1)	Case - Differential
4	-(2)	Inner Pinion Bearing Kit	23	41221	Bolt - Drive Gear (qty 10)
5	-(2)	Baffle - Pinion Oil	24	51451(4)	Pinion - Differential
6	-(2)	Collapsible Spacer	25	48231(4)	Gear - Differential
7	-(2)	Outer Pinion Bearing Kit	26	34096	Thrustwasher - Diff Pinion
8	42778	Slinger - Outer Pinion Brg.	27	40027	Thrustwasher - Diff Gear
9	-(2)	Seal - Pinion	28	-(2)	Shaft - Differential
10	-(2)	Slinger	29	13449	Lock - Differential Shaft
11	-(2)	End Yoke Assembly (inc 10)	30	46065	Seal - Oil
12	30186	Washer - Pinion Nut	31	-(2)	Bearing Assembly
13	30185	Nut - Pinion	32	-(2)	Bushing - Rubber
	-(3)	KIT - Carrier Cover (inc 14,15,16)	33	-(2)	Bearing Assembly
14	-(3)	Cover - Carrier	34	46066 (3)	Seal - Oil
15	43180	Plug - Carrier Cover	35	80297	Shaft Assembly (inc 36 & 37)
16	40286-5	Bolt - Carrier Cover (qty 10)	36	49807(4)	Shaft - Output
17	38615	RTV - Silicone Sealant	37	46072	Snap Ring
18	-(4)	Cap - Differential Bearing		-(3)	Shaft & Joint Assembly - Axle
19	40284-1	Bolt - Differential Bearing			

(1) See "Bill of Material Table" below
 (2) See "Variable Parts Table" within this section
 (3) Contact Vehicle Manufacturer
 (4) Not Sold Separately

Ford Super 30 /186 Front for Explorer

Bill of Material Table



Axle			Axle Kits				Shaft & Joint Assy.	
Bill of Material	Diff. Type	Ratio	Ring Gear & Pinion Kit ⁽⁷⁾	Differential			Right Hand Shaft Assy.	Left Hand Shaft Assy.
				Case Assy. Kit ⁽⁸⁾	Case Kit	Inner Parts Kit		
2001 Explorer								
610833-2	Standard	3.55	708098-2	708100	706007X	708102	- (3)	- (3)
610833-3	Standard	3.73	708098-3	708101	706008X	708102	- (3)	- (3)
610833-5	Standard	4.30	708098-5	708101	706008X	708102	-(3)	-(3)
2006 Explorer								
2005006-1	Standard	3.55	2005046-1	708100	706007X	708102	-(3)	-(3)
2005006-2	Standard	3.73	2005046-2	708101	706008X	708102	-(3)	-(3)
611380-2	Standard	3.55	708098-2	708100	706007X	708102	-(3)	-(3)
611380-3	Standard	3.73	708098-3	708101	706008X	708102	-(3)	-(3)
2007 Explorer								
2005047-1	Standard	3.55	2005046-1	708100	706007X	708102	-(3)	-(3)
2005047-2	Standard	3.73	2005046-2	708101	706008X	708102	-(3)	-(3)

(3) Contact Vehicle Manufacturer

(7) See Ring Gear & Pinion Kits in XGI Catalog for ratio & tooth combinations.

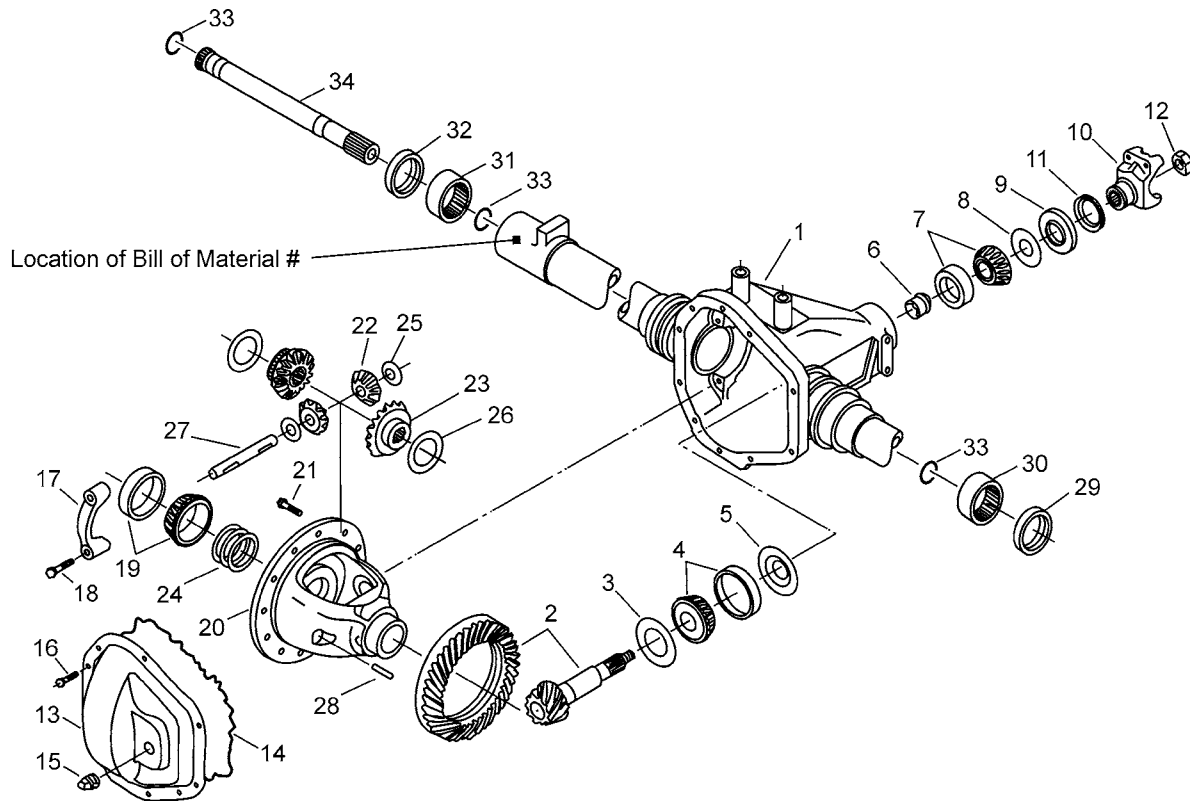
(8) See Differential Case Assy Kits in XGI Catalog for spline data & ratios.

Ford Super 30 /186 Front for Explorer Variable Parts Listing

Kits & Parts - Use With All Applications						
Description & Item Number (Refer to "Exploded View" at the front of this section)			Bills of Material			
			2005006	2005047	610833	611380
1	Inner Pinion Bearing Kit	4	2003980	2003980	706015X	706015X
2	Baffle - Pinion Oil	5	-	-	43599	-
3	Collapsible Spacer	6	2003879	2003879	44228	44228
4	Outer Pinion Bearing Kit	7	2003978	2003978	706894X	706894X
5	Seal - Pinion	9	2002974	2002974	51501	51501
6	Slinger	10	2001245	2001245	42779	42779
7	End Yoke Assembly (inc 10)	11	2001252	2006700	2-4-6901-1X	2-4-6901-1X
8	Shaft - Differential	28	2006262	2006262	41648	2006262
9	Bearing Assembly	31	2002806	2002806	566121	2002806
10	Bushing - Rubber	32	2005317	2005317	47272	47272
11	Bearing Assembly	33	2002805	2002805	566063	2002805

**Model 35 /194
Front Axles with CV Joints for
Explorer, Ranger &
Sport Trac Pick-Up**

Ford 35 /194 Front with CV Joints Exploded View



Parts Listing

ITEM NO.	PART NUMBER	DESCRIPTION	ITEM NO.	PART NUMBER	DESCRIPTION
1	-(3)	Housing - Axle Service	18	40284-1	Bolt - Differential Bearing
2	-(1)	Ring Gear & Pinion Kit	19	706016X	Differential Bearing Kit
3	701130X	PKG - Pinion Adj Shim	20	-(1)	Case - Differential
4	707162X	Inner Pinion Bearing Kit	21	41221	Bolt - Drive Gear (qty 8)
5	43599	Baffle - Pinion Oil	22	46504(4)	Pinion - Differential
6	42102	Collapsible Spacer	23	46502(4)	Gear - Differential
7	706894X	Outer Pinion Bearing Kit	24	701004X	Pkg. - Differential Adj Shim
8	42778	Slinger - Outer Pinion Bearing	25	34096	Thrustwasher - Diff Pinion
9	-(2)	Seal - Pinion	26	34095	Thrustwasher - Diff Gear
10	-(2)	End Yoke Assembly (inc 11)	27	41648	Shaft - Differential
11	-(2)	Slinger	28	13449	Lock - Differential Shaft
12	-(2)	Nut - Pinion	29	46065	Seal - Oil
13	47446	Cover - Carrier	30	-(2)	Bearing/Bushing
14	38615	RTV Silicone Sealant	31	-(2)	Bearing/Bushing
15	43180	Plug - Carrier Cover	32	46066(3)	Seal - Oil
16	40286-5	Bolt - Carrier Cover (qty 10)	33	46072	Snap Ring
17	-(4)	Cap - Differential Bearing	34	80297	Shaft Assy.(inc 33)

- (1) See "Bill of Material Table" below
- (2) See "Variable Parts Table" within this section
- (3) Contact Vehicle Manufacturer
- (4) Not Sold Separately

Ford 35 /194 Front with CV Joints

Bill of Material Table



Axle			Axle Kits				Shaft & Joint Assy.	
Bill of Material	Diff. Type	Ratio	Ring Gear & Pinion Kit ⁽⁷⁾	Differential			Right Hand Shaft Assy.	Left Hand Shaft Assy.
				Case Assy. Kit ⁽⁸⁾	Case Kit	Inner Parts Kit		
1999 Explorer - Non-Disconnect - CV								
610774-1	Standard	3.27	707359-1X	707378X	707360X	707379X	-(3)	-(3)
610774-2	Standard	3.55	707359-2X	707378X	707360X	707379X	-(3)	-(3)
610774-3	Standard	3.73	707359-3X	707378X	707360X	707379X	-(3)	-(3)
610774-4	Standard	4.10	707359-4X	707378X	707360X	707379X	-(3)	-(3)
2000 Sport Trac Pick-Up								
611044-1	Standard	3.73	707359-3X	707378X	707360X	707379X	-(3)	-(3)
611044-2	Standard	4.10	707359-4X	707378X	707360X	707379X	-(3)	-(3)
2001 Ranger								
611053-1	Standard	4.56	707359-5X	707378X	707360X	707379X	-(3)	-(3)
2002 Explorer/Ranger - Non-Disconnect - CV								
611222-1	Standard	3.73	707359-3X	707378X	707360X	707379X	-(3)	-(3)
611222-2	Standard	4.10	707359-4X	707378X	707360X	707379X	-(3)	-(3)
2002-04 Explorer/Ranger - Non-Disconnect - CV								
611316-1	Standard	3.73	707359-3X	707378X	707360X	707379X	-(3)	-(3)
611316-2	Standard	4.10	707359-4X	707378X	707360X	707379X	-(3)	-(3)
2004-05 Explorer/Ranger - Non-Disconnect - CV								
2002645-1	Standard	3.73	707359-3X	707378X	707360X	707379X	-(3)	-(3)
2002645-2	Standard	4.10	707359-4X	707378X	707360X	707379X	-(3)	-(3)
2002750-1	Standard	3.73	707359-3X	707378X	707360X	707379X	-(3)	-(3)
2002750-2	Standard	4.10	707359-4X	707378X	707360X	707379X	-(3)	-(3)
611360-1	Standard	3.73	707359-3X	707378X	707360X	707379X	-(3)	-(3)
611360-2	Standard	4.10	707359-4X	707378X	707360X	707379X	-(3)	-(3)
2005 Explorer/Ranger - Non-Disconnect - CV								
2001858-1	Standard	3.55	707359-2X	707378X	707360X	707379X	-(3)	-(3)
2006-07 Explorer/Ranger - Non-Disconnect - CV								
2006015-1	Standard	3.55	707359-2X	707378X	707360X	707379X	-(3)	-(3)
2007-08 Explorer/Ranger - Non-Disconnect - CV								
2006665-1	Standard	3.73	707359-3X	707378X	707360X	707379X	-(3)	-(3)
2006665-2	Standard	4.10	707359-4X	707378X	707360X	707379X	-(3)	-(3)
2007693-1	Standard	3.55	707359-2X	707378X	707360X	707379X	-(3)	-(3)

(3) Contact Vehicle Manufacturer.

(7) See Ring Gear & Pinion Kits in XGI Catalog for ratio & tooth combinations.

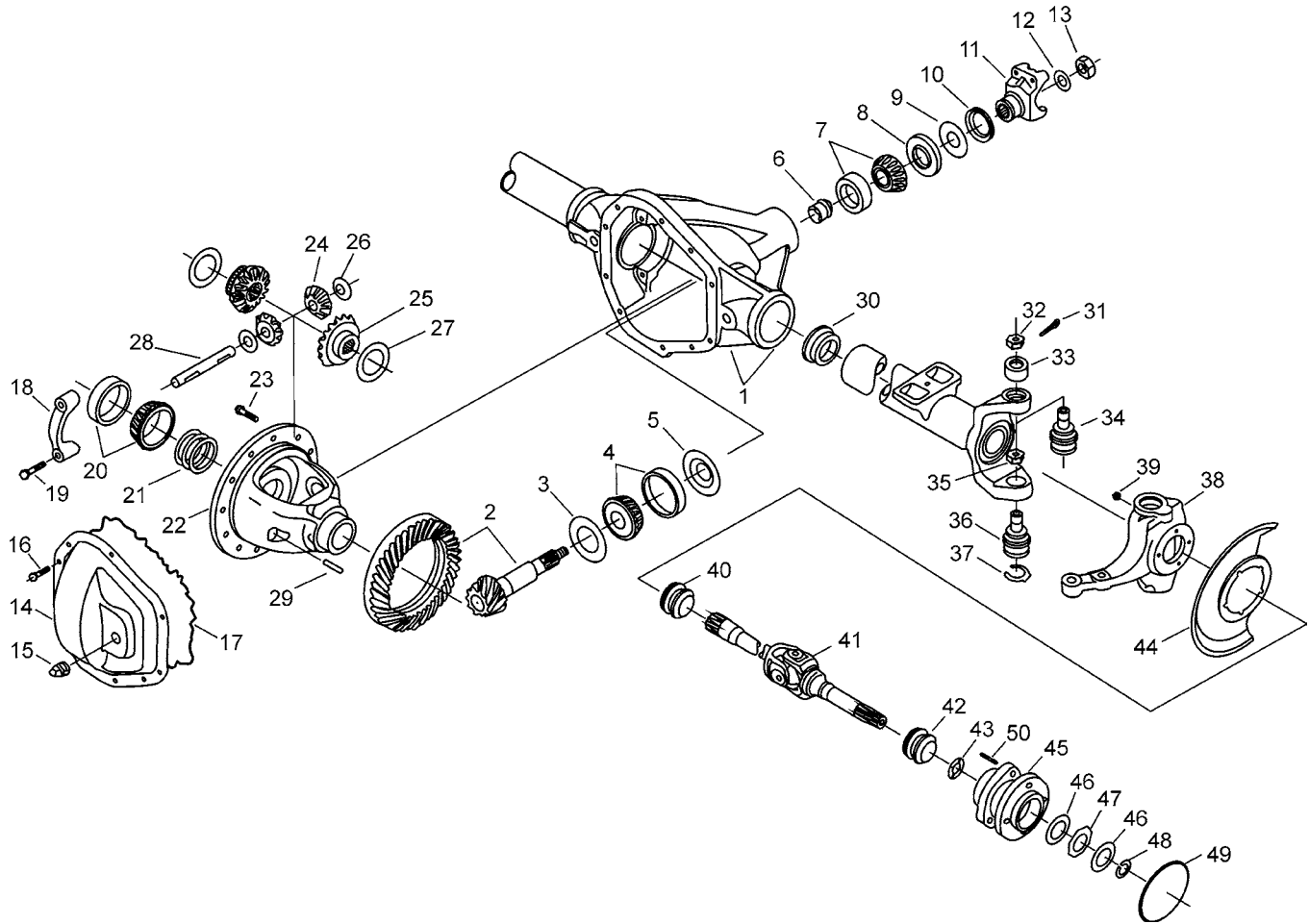
(8) See Differential Case Assy Kits in XGI Catalog for spline data & ratios.

Ford 35 /194 Front with CV Joints Variable Parts Listing

Kits & Parts - Use With All Applications							
Description & Item Number (Refer to "Exploded View" at the front of this section)			Bills of Material				
			2001858	2002645	2002750	2006015	2006665
1	Seal - Pinion	9	2002974	2002974	2002974	2002974	2002974
2	End Yoke Assembly (inc 11)	10	2001252	2001252	2001252	2001252	2001252
3	Slinger	11	2001245	2001245	2001245	2001245	2001245
4	Nut - Pinion	12	44189	44189	2002749	2002749	2002749
5	Bearing/Bushing	30	566121	566121	2002806	2002806	2002806
6	Bearing/Bushing	31	566063	566063	2002805	2002805	2002805
			2007693	610774	611044	611053	611222
1	Seal - Pinion	9	2002974	51501	51501	51501	51501
2	End Yoke Assembly (inc 11)	10	2001252	2-4-6901-1X	2-4-6901-1X	2-4-6901-1X	2-4-6901-1X
3	Slinger	11	2001245	42779	42779	42779	42779
4	Nut - Pinion	12	2002749	44189	44189	44189	44189
5	Bearing/Bushing	30	2002806	566121	566121	566121	566121
6	Bearing/Bushing	31	2002805	566063	566063	566063	566063
			611316	611360			
1	Seal - Pinion	9	51501	51501			
2	End Yoke Assembly (inc 11)	10	2-4-6901-1X	2001252			
3	Slinger	11	42779	2001245			
4	Nut - Pinion	12	44189	44189			
5	Bearing/Bushing	30	566121	566121			
6	Bearing/Bushing	31	566063	566063			

**Model 50 /229
Front Axles for
F-250 & F-350**

Ford 50 /229 Front Exploded View



Ford 50 /229 Front Parts Listing

ITEM NO.	PART NUMBER	DESCRIPTION	ITEM NO.	PART NUMBER	DESCRIPTION
1	-(3)	Housing - Axle Service	28	620414	Shaft - Differential
2	-(1)	Ring Gear & Pinion Kit	29	44810	Lock - Differential
3	701112X	PKG. - Inner Pinion Adj. Shim	30	-(2)	Seal - Oil
	701160X	PKG. - Diff & Pinion Shim		700238-2X	KIT - Socket Assembly (inc 31,32,34,35,36,37)
4	706015X	Inner Pinion Bearing Kit	31	500024-8	Pin - Cotter
5	47742	Baffle - Pinion Bearing	32	44101	Nut - Slotted
6	44896	Collapsible Spacer	33	44507	Bushing
7	706030X	Outer Pinion Bearing Kit		-(5)	(Alternate Bushing Selection)
8	13575	Slinger - Pinion Bearing Outer	34	2001257	Upper Socket Assy
9	-(2)	Seal - Pinion	35	44133	Nut - Lock
10	47762	Seal - End Yoke	36	2001258	Lower Socket Assy
11	3-4-13761-1	End Yoke Assembly	37	620343	Snap Ring
12	30186	Washer - Pinion Nut	38	-(3)	Knuckle (LH/RH)
13	30185	Nut - Pinion	39	48660	Nut - Knuckle
14	47707-1	Carrier Cover	40	50381	Oil Seal
15	43180	Plug - Carrier Cover	41	-(1)	Shaft & Joint Assembly
16	47508-2	Bolt - Carrier Cover (qty 9)	42	50491	Oil Seal
17	38615	RTV Silicone Sealant	43	47766	Thrustwasher
18	-(3)	Cap - Differential Bearing	44	47758	Dust Shield
19	48632-1	Bolt - Diff Bearing Cap	45	-(3)	Hub Assembly
20	700097	Differential Bearing Kit		701166X	PKG - Thrustwashers (inc 46,47)
21	701006X	PKG - Differential Adj. Shim	46	47760(4)	Thrustwasher
22	-(1)	Case - Differential	47	47759(4)	Thrustwasher
23	45784	Bolt - Drive Gear (qty 10)	48	620142	Snap Ring
24	620436(4)	Pinion - Differential	49	41784-2	O-Ring
25	40432(4)	Gear - Differential	50	47816(3)	Stud
26	620439(4)	Thrustwasher - Diff Pinion			
27	50718(4)	Thrustwasher - Diff Gear			

- (1) See "Bill of Material Table" on next page
(2) See "Variable Parts Table" within this section
(3) Contact Vehicle Manufacturer
(4) Not Sold Separately
(5) See Camber/Casting Bushing Table at the back of this catalog.

Ford 50 /229 Front Bill of Material Table

Axle			Axle Kits				Shaft & Joint Assy.	
Bill of Material	Diff. Type	Ratio	Ring Gear & Pinion Kit ⁽⁷⁾	Differential			Right Hand Shaft Assy.	Left Hand Shaft Assy.
				Case Assy. Kit ⁽⁸⁾	Case Kit	Inner Parts Kit		
1998 1/2-99 F-250/350 SRW (4x4)								
610659-1	Standard	3.73	76127-5X(9)	707459X	706917X	706916X	76110-1X	76110-2X
610659-2	Standard	4.10	660319-5(9)	707459X	706917X	706916X	76110-1X	76110-2X
610659-3	Standard	4.30	76136-5X(9)	707459X	706917X	706916X	76110-1X	76110-2X
1998 1/2-99 F-250/350 SRW (4x4) w/ABS								
610654-1	Standard	3.73	76127-5X(9)	707459X	706917X	706916X	76110-1X	76110-2X
610654-2	Standard	4.10	660319-5(9)	707459X	706917X	706916X	76110-1X	76110-2X
610654-3	Standard	4.30	76136-5X(9)	707459X	706917X	706916X	76110-1X	76110-2X
1999 1/2-2000 F-250/350 SRW (4x4)								
610892-1	Standard	3.73	76127-5X(9)	707459X	706917X	706916X	76110-1X	76110-2X
610892-2	Standard	4.10	660319-5(9)	707459X	706917X	706916X	76110-1X	76110-2X
610892-3	Standard	4.30	76136-5X(9)	707459X	706917X	706916X	76110-1X	76110-2X
1999 1/2-2000 F-250/350 SRW (4x4) w/ABS								
610893-1	Standard	3.73	76127-5X(9)	707459X	706917X	706916X	76110-1X	76110-2X
610893-2	Standard	4.10	660319-5(9)	707459X	706917X	706916X	76110-1X	76110-2X
610893-3	Standard	4.30	76136-5X(9)	707459X	706917X	706916X	76110-1X	76110-2X
2000 F-250/350 Excursion SRW (4x4) w/ABS								
610979-1	Standard	3.73	76127-5X(9)	707459X	706917X	706916X	76110-1X	76110-2X
610979-2	Standard	4.10	660319-5(9)	707459X	706917X	706916X	76110-1X	76110-2X
610979-3	Standard	4.30	76136-5X(9)	707459X	706917X	706916X	76110-1X	76110-2X
2000 F-250/350 SRW (4x4) w/ABS								
611071-1	Standard	3.73	76127-5X(9)	707459X	706917X	706916X	76110-1X	76110-2X
611071-2	Standard	4.10	660319-5(9)	707459X	706917X	706916X	76110-1X	76110-2X
611071-3	Standard	4.30	76136-5X(9)	707459X	706917X	706916X	76110-1X	76110-2X
2000 1/2 F-250/350 Excursion SRW (4x4) w/ABS								
610999-1	Standard	3.73	76127-5X(9)	707459X	706917X	706916X	76110-1X	76110-2X
610999-2	Standard	4.10	660319-5(9)	707459X	706917X	706916X	76110-1X	76110-2X
610999-3	Standard	4.30	76136-5X(9)	707459X	706917X	706916X	76110-1X	76110-2X
2000 1/2 F-250/350 SRW (4x4)								
610992-1	Standard	3.73	76127-5X(9)	707459X	706917X	706916X	76110-1X	76110-2X
610992-2	Standard	4.10	660319-5(9)	707459X	706917X	706916X	76110-1X	76110-2X
610992-3	Standard	4.30	76136-5X(9)	707459X	706917X	706916X	76110-1X	76110-2X
2000 1/2 F-250/350 SRW (4x4) w/ABS								
610993-1	Standard	3.73	76127-5X(9)	707459X	706917X	706916X	76110-1X	76110-2X
610993-2	Standard	4.10	660319-5(9)	707459X	706917X	706916X	76110-1X	76110-2X
610993-3	Standard	4.30	76136-5X(9)	707459X	706917X	706916X	76110-1X	76110-2X
2001 F-250/350 SRW (4x4)								
611194-1	Standard	3.73	76127-5X(9)	707459X	706917X	706916X	76110-1X	76110-2X
611194-2	Standard	4.10	660319-5(9)	707459X	706917X	706916X	76110-1X	76110-2X
611194-3	Standard	4.30	76136-5X(9)	707459X	706917X	706916X	76110-1X	76110-2X

(7) See Ring Gear & Pinion Kits in XGI Catalog for ratio & tooth combinations.
 (8) See Differential Case Assy Kits in XGI Catalog for spline data & ratios.
 (9) Gear set includes ring, pinion and drive gear screws.

Ford 50 /229 Front Bill of Material Table



Axle			Axle Kits				Shaft & Joint Assy.	
Bill of Material	Diff. Type	Ratio	Ring Gear & Pinion Kit ⁽⁷⁾	Differential			Right Hand Shaft Assy.	Left Hand Shaft Assy.
				Case Assy. Kit ⁽⁸⁾	Case Kit	Inner Parts Kit		
2002 F-250/350 SRW (4x4)								
2001272-1	Standard	3.73	76127-5X(9)	707459X	706917X	706916X	2002693-1	2002693-2
2001272-2	Standard	4.10	660319-5(9)	707459X	706917X	706916X	2002693-1	2002693-2
2001272-3	Standard	4.30	76136-5X(9)	707459X	706917X	706916X	2002693-1	2002693-2
611298-1	Standard	3.73	76127-5X(9)	707459X	706917X	706916X	76110-1X	76110-2X
611298-2	Standard	4.10	660319-5(9)	707459X	706917X	706916X	76110-1X	76110-2X
611298-3	Standard	4.30	76136-5X(9)	707459X	706917X	706916X	76110-1X	76110-2X
611336-1	Standard	3.73	76127-5X(9)	707459X	706917X	706916X	86002-1	86002-2
611336-2	Standard	4.10	660319-5(9)	707459X	706917X	706916X	86002-1	86002-2
611336-3	Standard	4.30	76136-5X(9)	707459X	706917X	706916X	86002-1	86002-2

(7) See Ring Gear & Pinion Kits in XGI Catalog for ratio & tooth combinations.

(8) See Differential Case Assy Kits in XGI Catalog for spline data & ratios.

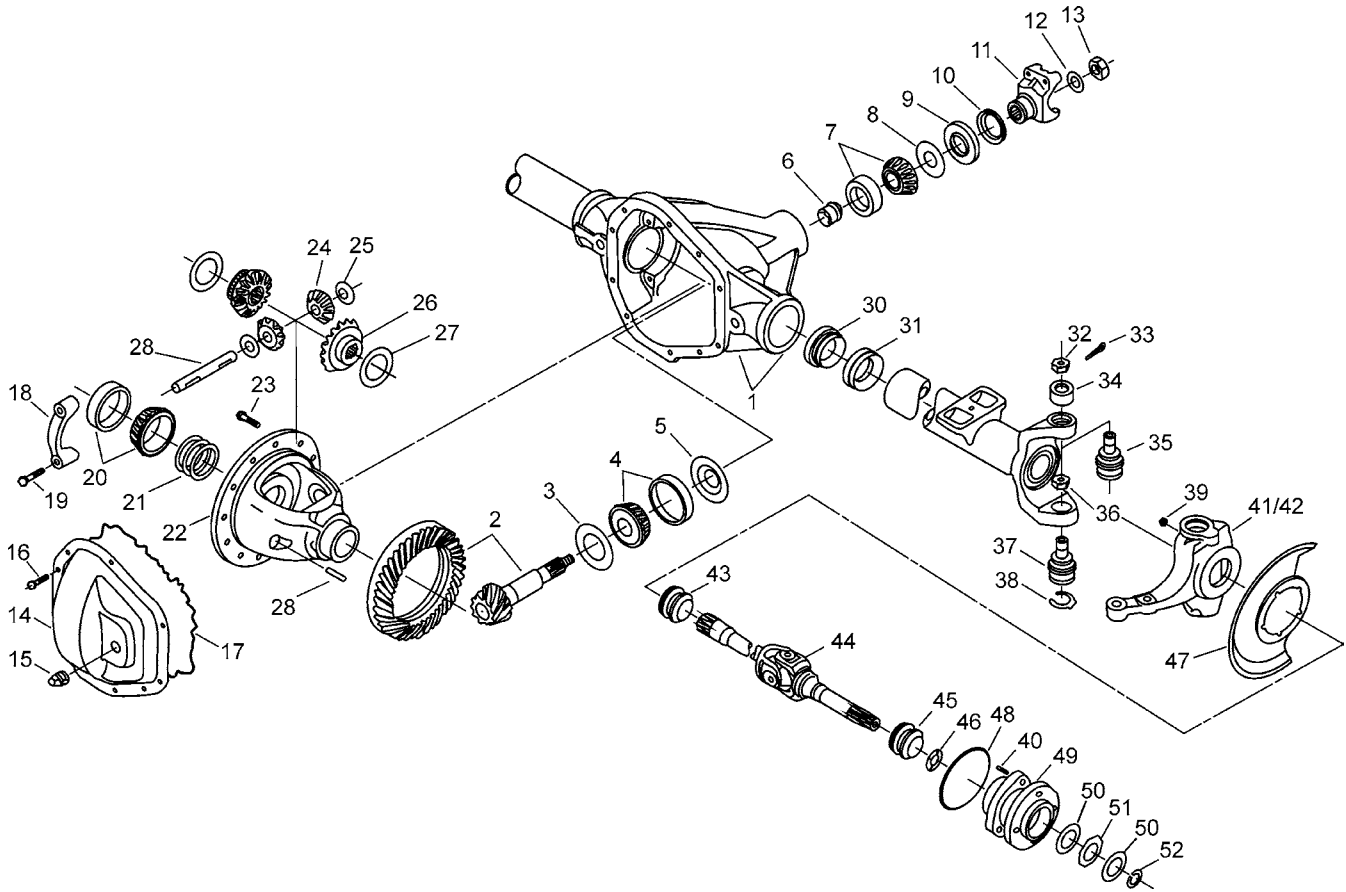
(9) Gear set includes ring, pinion and drive gear screws.

Ford 50 /229 Front Variable Parts Listing

Kits & Parts - Use With All Applications							
Description & Item Number (Refer to "Exploded View" at the front of this section)			Bills of Material				
			2001272	610654	610659	610892	610893
1	Seal - Pinion	9	50531	47761	47761	47761	47761
2	Seal - Oil	30	52148	36487	36487	36487	36487
			610979	610992	610993	610999	611071
1	Seal - Pinion	9	47761	47761	47761	47761	50531
2	Seal - Oil	30	36487	36487	36487	36487	36487
			611194	611298	611336		
1	Seal - Pinion	9	50531	50531	50531		
2	Seal - Oil	30	36487	52148	52148		

**Model 60 /248
Front Axles for
F-250, F-350, F-450 & F-550**

Ford 60 /248 Front Exploded View



Ford 60 /248 Front Parts Listing

ITEM NO.	PART NUMBER	DESCRIPTION	ITEM NO.	PART NUMBER	DESCRIPTION
1	-(3)	Housing - Axle Service	28	44810	Lock - Differential Shaft
2	-(1)	Drive Pinion & Gear Kit	29	30263	Shaft - Differential
3	701161X	Shim - Inner Pinion Adj Package	30	52148	Seal - Guide Tube
	47890	Slinger (used on Dead Front only)	31	-(2)	Guide Tube
4	706046X	Inner Pinion Bearing		700238-2X	KIT - Socket Assembly
5	30982	Baffle - Pinion Bearing			(inc 32,33,35,36,37 & 38)
6	45658	Collapsible Spacer	32	44101	Nut - Hex Slotted
7	706045X	KIT - Outer Pinion Bearing	33	500024-8	Pin - Cotter
8	42737	Thrustwasher - Bearing	34	-(2)	Bushing
	-(2)	PKG - Seal (inc 9 & 10)		-(5)	(Alternate Bushing Selection)
9	-(2)	Seal - Pinion	35	2001257	Socket - Upper
10	47886	Seal - End Yoke	36	44133	Nut - Hex Jam
11	-(2)	End Yoke	37	2001258	Socket - Lower
12	30275	Washer - Pinion Nut	38	620343	Snap Ring
13	-(2)	Nut - Pinion	39	-(2)	Nut - Knuckle
14	47707-1	Cover - Carrier	40	47816(3)	Stud
15	-(2)	Plug - Carrier Cover	41	-(3)	Knuckle - Right
16	47508-2	Bolt - Carrier Cover (qty 10)	42	-(3)	Knuckle - Left
17	34687	Gasket - Carrier Cover	43	50381	Seal - Oil
18	-(3)	Cap - Differential Bearing	44	-(1)	Shaft & Joint Assembly
19	48632-1	Bolt - Differential Bearing Cap	45	-(2)	Seal - Oil
20	706047X	KIT - Differential Bearing	46	47766	Thrustwasher
21	708012	KIT - Diff Brg Adj Shim (inc 17)	47	-(2)	Dust Shield
22	-(1)	Case - Differential	48	41784-2	O-Ring
23	40638	Bolt - Drive Gear (qty 12)	49	-(3)	Hub Assembly
24	-(2)	Pinion - Differential		701166X	PKG - Thrustwasher (inc 50 & 51)
25	-(2)	Thrustwasher - Diff Pinion	50	47760(4)	Thrustwasher
26	-(2)	Gear - Differential (std)	51	47759(4)	Thrustwasher
27	34729	Thrustwasher - Diff Gear	52	620142	Snap Ring

- (1) See "Bill of Material Table" on next page
(2) See "Variable Parts Table" within this section
(3) Contact Vehicle Manufacturer
(4) Not Sold Separately
(5) See Camber/Casting Bushing Table in the back of this catalog

Ford 60 /248 Front Bill of Material Table

Axle			Axle Kits				Shaft & Joint Assy.	
Bill of Material	Diff. Type	Ratio	Ring Gear & Pinion Kit ⁽⁷⁾	Differential			Right Hand Shaft Assy.	Left Hand Shaft Assy.
				Case Assy. Kit ⁽⁸⁾	Case Kit	Inner Parts Kit		
1998-99 F-350 DRW (4x4)								
610655-1	Standard	3.73	707475-1X(10)	2005502	706040X	706702X	76150-1X	76150-2X
610655-2	Standard	4.10	707475-2X(10)	2005502	706040X	706702X	76150-1X	76150-2X
610655-3	Standard	4.30	707475-3X(10)	2005502	706040X	706702X	76150-1X	76150-2X
2000 F-350 DRW (4x4)								
610894-1	Standard	3.73	707475-1X(10)	706180X	706040X	706702X	76150-1X	76150-2X
610894-2	Standard	4.10	707475-2X(10)	706180X	706040X	706702X	76150-1X	76150-2X
610894-3	Standard	4.30	707475-3X(10)	706180X	706040X	706702X	76150-1X	76150-2X
610954-1	Standard	4.30	707475-3X(10)	706180X	706040X	706702X	76150-1X	76150-2X
610998-1	Standard	4.30	707475-3X(10)	706180X	706040X	706702X	76150-1X	76150-2X
611072-1	Standard	3.73	2007117(10)	706180X	706040X	706702X	76150-1X	76150-2X
611072-2	Standard	4.10	708233-2(10)	706180X	706040X	706702X	76150-1X	76150-2X
611072-3	Standard	4.30	708123-3(10)	706180X	706040X	706702X	76150-1X	76150-2X
611074-1	Standard	4.30	708123-3(10)	706180X	706040X	706702X	76150-1X	76150-2X
2000 F-450/550 DRW (4x4)								
610895-1	Standard	4.88	707475-4X(10)	706182X	706041X	706702X	76150-3X	76150-4X
610895-2	Standard	5.38	707475-5X(10)	706182X	706041X	706702X	76150-3X	76150-4X
611073-1	Standard	4.88	708123-4(10)	706182X	706041X	706702X	76150-3X	76150-4X
611073-2	Standard	5.38	708123-5(10)	706182X	706041X	706702X	76150-3X	76150-4X
611073-3	Standard	4.30	708123-3(10)	706180X	706040X	706702X	76150-3X	76150-4X
2000 F-450/550 DRW (4X2) Dead Front								
610896								
610897								
2000 1/2 F-350 DRW (4x4)								
610994-1	Standard	3.73	707475-1X(10)	706180X	706040X	706702X	76150-1X	76150-2X
610994-2	Standard	4.10	707475-2X(10)	706180X	706040X	706702X	76150-1X	76150-2X
610994-3	Standard	4.30	707475-3X(10)	706180X	706040X	706702X	76150-1X	76150-2X
2000 1/2 F-450/550 DRW (4x4)								
610995-1	Standard	4.88	707475-4X(10)	706182X	706041X	706702X	76150-3X	76150-4X
610995-2	Standard	5.38	707475-5X(10)	706182X	706041X	706702X	76150-3X	76150-4X
2000 1/2 F-450/550 DRW (4X2) Dead Front								
610996								
610997								
2001 F-350 DRW (4x4)								
611195-1	Standard	3.73	2007117(10)	706180X	706040X	706702X	76150-1X	76150-2X
611195-2	Standard	4.10	708233-2(10)	706180X	706040X	706702X	76150-1X	76150-2X
611195-3	Standard	4.30	708123-3(10)	706180X	706040X	706702X	76150-1X	76150-2X
611197-1	Standard	4.30	708123-3(10)	706180X	706040X	706702X	76150-1X	76150-2X
2001 F-450/550 DRW (4x4)								
611201-1	Standard	4.88	708123-4(10)	706182X	706041X	706702X	76150-3X	76150-4X
611201-2	Standard	5.38	708123-5(10)	706182X	706041X	706702X	76150-3X	76150-4X
611201-3	Standard	4.30	708123-3(10)	706180X	706040X	706702X	76150-3X	76150-4X
2001 F-450/550 DRW (4X2) Dead Front								
611198								
611199								

(7) See Ring Gear & Pinion Kits in XGI Catalog for ratio & tooth combinations.

(8) See Differential Case Assy Kits in XGI Catalog for spline data & ratios.

(10) Reverse Spiral Bevel

Ford 60 /248 Front Bill of Material Table



Axle			Axle Kits				Shaft & Joint Assy.	
Bill of Material	Diff. Type	Ratio	Ring Gear & Pinion Kit ⁽⁷⁾	Differential			Right Hand Shaft Assy.	Left Hand Shaft Assy.
				Case Assy. Kit ⁽⁸⁾	Case Kit	Inner Parts Kit		
2001-02 F-450/550 DRW (4x4)								
611196-1	Standard	4.88	708123-4(10)	706182X	706041X	706702X	76150-3X	76150-4X
611196-2	Standard	5.38	708123-5(10)	706182X	706041X	706702X	76150-3X	76150-4X
611196-3	Standard	4.30	708123-3(10)	706180X	706040X	706702X	76150-3X	76150-4X
2002 F-250/350 SRW (4x4)								
611159-1	Standard	3.73	2007117(10)	706180X	706040X	706702X	76150-1X	76150-2X
611159-2	Standard	4.10	708233-2(10)	706180X	706040X	706702X	76150-1X	76150-2X
611159-3	Standard	4.30	708123-3(10)	706180X	706040X	706702X	76150-1X	76150-2X
611299-1	Standard	3.73	2007117(10)	2005502	706040X	706702X	76150-1x	76150-2X
611299-2	Standard	4.10	708233-2(10)	2005502	706040X	706702X	76150-1X	76150-2X
611299-3	Standard	4.30	708123-3(10)	2005502	706040X	706702X	76150-1X	76150-2X
611337-1	Standard	3.73	2007117(10)	2005502	706040X	706702X	86003-1	86003-2
611337-2	Standard	4.10	708233-2(10)	2005502	706040X	706702X	86003-1	86003-2
611337-3	Standard	4.30	708123-3(10)	2005502	706040X	706702X	86003-1	86003-2
2002 F-350 DRW (4x4)								
611300-1	Standard	3.73	2007117(10)	2005502	706040X	706702X	76150-1X	76150-2X
611300-2	Standard	4.10	708233-2(10)	2005502	706040X	706702X	76150-1X	76150-2X
611300-3	Standard	4.30	708123-3(10)	2005502	706040X	706702X	76150-1X	76150-2X
611303-1	Standard	4.30	708123-3(10)	2005502	706040X	706702X	76150-1X	76150-2X
611338-1	Standard	3.73	2007117(10)	2005502	706040X	706702X	86003-1	86003-2
611338-2	Standard	4.10	708233-2(10)	2005502	706040X	706702X	86003-1	86003-2
611338-3	Standard	4.30	708123-3(10)	2005502	706040X	706702X	86003-1	86003-2
611340-1	Standard	4.30	708123-3(10)	2005502	706040X	706702X	86003-1	86003-2
2002 F-450/550 DRW (4x4)								
611301-1	Standard	4.30	708123-3(10)	2005502	706040X	706702X	76150-3X	76150-4X
611301-2	Standard	4.88	708123-4(10)	2005501	706041X	706702X	76150-3X	76150-4X
611301-3	Standard	5.38	708123-5(10)	2005501	706041X	706702X	76150-3X	76150-4X
611302-1	Standard	5.38	708123-5(10)	2005501	706041X	706702X	76150-3X	76150-4X
611302-2	Standard	4.88	708123-4(10)	2005502	706041X	706702X	76150-3X	76150-4X
611302-3	Standard	4.30	708123-3(10)	706180X	706040X	706702X	76150-3X	76150-4X
611339-1	Standard	5.38	708123-5(10)	2005501	706041X	706702X	76150-3X	76150-4X
611339-2	Standard	4.88	708123-4(10)	2005501	706041X	706702X	76150-3X	76150-4X
611339-3	Standard	4.30	708123-3(10)	2005502	706040X	706702X	76150-3X	76150-4X
2002 F-450/550 DRW (4X2) Dead Front								
611304								
611305								
2003 F-450/550 DRW (4X2) Dead Front								
611341-1								
611342-1								
2004 F-250/350 SRW (4x4)								
2001273-1	Standard	3.73	2007117(10)	2005502	706040X	708236	2002694-1	2002694-2
2001273-2	Standard	4.10	708233-2(10)	2005502	706040X	708236	2002694-1	2002694-2
2001273-3	Standard	4.30	708123-3(10)	2005502	706040X	708236	2002694-1	2002694-2

(7) See Ring Gear & Pinion Kits in XGI Catalog for ratio & tooth combinations.

(8) See Differential Case Assy Kits in XGI Catalog for spline data & ratios.

(10) Reverse Spiral Bevel

Ford 60 /248 Front Bill of Material Table

Axle			Axle Kits				Shaft & Joint Assy.	
Bill of Material	Diff. Type	Ratio	Ring Gear & Pinion Kit ⁽⁷⁾	Differential			Right Hand Shaft Assy.	Left Hand Shaft Assy.
				Case Assy. Kit ⁽⁸⁾	Case Kit	Inner Parts Kit		
2004 F-350 DRW (4x4)								
2001274-1	Standard	3.73	2007117(10)	2005502	706040X	708236	2002694-1	2002694-2
2001274-2	Standard	4.10	708233-2(10)	2005502	706040X	708236	2002694-1	2002694-2
2001274-3	Standard	4.30	708123-3(10)	2005502	706040X	708236	2002694-1	2002694-2
2004 F-450/550 DRW (4x4)								
2001275-1	Standard	5.38	708123-5(10)	2005501	706041X	708236	2002694-3	2002694-4
2001275-2	Standard	4.88	708123-4(10)	2005501	706041X	708236	2002694-3	2002694-4
2001275-3	Standard	4.30	708123-3(10)	2005502	706040X	708236	2002694-3	2002694-4
2005-06 F-250/350 SRW (4x4)								
2002016-1	Standard	3.73	2007117(10)	2005502	706040X	708236	2002694-1	2002694-2
2002016-2	Standard	4.10	708233-2(10)	2005502	706040X	708236	2002694-1	2002694-2
2005-06 F-350 DRW (4x4)								
2002017-1	Standard	4.10	708233-2(10)	2005502	706040X	708236	2002694-1	2002694-2
2005-11 F-250/350 SRW								
2003791-1	Standard	3.54	708233-6(10)	2005502	706040X	708236	2002694-1	2002694-2
2005-11 F-350 DRW (4x4)								
2001276-1	Standard	4.30	708123-3(10)	2005502	706040X	708236	2002694-1	2002694-2
2009-11 F4000 (4x4) DRW								
2009652-1	Standard	4.10	2007118(10)	2005502	706040X	708236	2002694-1	2002694-2

(7) See Ring Gear & Pinion Kits in XGI Catalog for ratio & tooth combinations.

(8) See Differential Case Assy Kits in XGI Catalog for spline data & ratios.

(10) Reverse Spiral Bevel

Ford 60 /248 Front Variable Parts Listing



Kits & Parts - Use With All Applications							
Description & Item Number (Refer to "Exploded View" at the front of this section)			Bills of Material				
			2001273	2001274	2001275	2001276	2002016
1	PKG - Seal (inc 9 & 10)	-	703011	703011	703011	703011	703011
2	Seal - Pinion	9	50574	50574	50574	50574	50574
3	End Yoke	11	3-4-14531-1	3-4-14531-1	3-4-14531-1	3-4-14531-1	3-4-14531-1
4	Nut - Pinion	13	2001153	2001153	2001153	2001153	2001153
5	Plug - Carrier Cover	15	43180	43180	55674	43180	43180
6	Pinion - Differential	24	34367	34367	55654	55654	55654
7	Thrustwasher - Diff Pinion	25	34730	34730	54630	54630	54630
8	Gear - Differential (std)	26	35625	35625	55650	55650	55650
9	Guide Tube	31	48058	48058	48059	48058	48058
10	Bushing	34	44507	44507	44507	-	-
11	Nut - Knuckle	39	48660	48660	48660	54829	54829
12	Seal - Oil	45	54520	54520	54520	54520	54520
13	Dust Shield	47	47758	47758	47889	47758	47758
			2002017	2003791	2009652	610655	610894
1	PKG - Seal (inc 9 & 10)	-	703011	-	-	701164X	701164X
2	Seal - Pinion	9	50574	2009802	2009802	47885	47885
3	End Yoke	11	3-4-14531-1	3-4-14531-1	3-4-14531-1	3-4-12771-1	3-4-12771-1
4	Nut - Pinion	13	2001153	2001153	2001153	30271	30271
5	Plug - Carrier Cover	15	43180	43180	43180	43180	43180
6	Pinion - Differential	24	55654	55654	55654	34367	34367
7	Thrustwasher - Diff Pinion	25	54630	54630	54630	34730	34730
8	Gear - Differential (std)	26	55650	55650	55650	35625	35625
9	Guide Tube	31	48058	48058	48058	48058	48058
10	Bushing	34	-	-	-	44507	44507
11	Nut - Knuckle	39	54829	54829	54829	48660	48660
12	Seal - Oil	45	54520	54520	54520	50491	50491
13	Dust Shield	47	47758	47758	47758	47758	47758
			610895	610896	610897	610954	610994
1	PKG - Seal (inc 9 & 10)	-	701164X	-	-	701164X	701164X
2	Seal - Pinion	9	47885	-	-	47885	47885
3	End Yoke	11	3-4-12771-1	-	-	3-4-12771-1	3-4-12771-1
4	Nut - Pinion	13	30271	-	-	30271	30271
5	Plug - Carrier Cover	15	43180	-	-	43180	43180
6	Pinion - Differential	24	34367	-	-	34367	34367
7	Thrustwasher - Diff Pinion	25	34730	-	-	34730	34730
8	Gear - Differential (std)	26	35625	-	-	35625	35625
9	Guide Tube	31	48059	-	-	48058	48058
10	Bushing	34	44507	44507	44507	44507	44507
11	Nut - Knuckle	39	48660	48660	48660	48660	48660
12	Seal - Oil	45	50491	-	-	50491	50491
13	Dust Shield	47	47889	-	-	47758	47889

Ford 60 /248 Front Variable Parts Listing

Kits & Parts - Use With All Applications							
Description & Item Number (Refer to "Exploded View" at the front of this section)		Bills of Material					
		610995	610996	610997	610998	611072	
1	PKG - Seal (inc 9 & 10)	-	701164X	-	-	701164X	703011
2	Seal - Pinion	9	47885	-	-	47885	50574
3	End Yoke	11	3-4-12771-1	-	-	3-4-12771-1	3-4-14531-1
4	Nut - Pinion	13	30271	-	-	30271	30271
5	Plug - Carrier Cover	15	43180	-	-	43180	43180
6	Pinion - Differential	24	34367	-	-	34367	34367
7	Thrustwasher - Diff Pinion	25	34730	-	-	34730	34730
8	Gear - Differential (std)	26	35625	-	-	35625	35625
9	Guide Tube	31	48059	-	-	48058	48058
10	Bushing	34	44507	44507	44507	44507	44507
11	Nut - Knuckle	39	48660	48660	48660	48660	48660
12	Seal - Oil	45	50491	-	-	50491	50491
13	Dust Shield	47	47889	-	-	47758	47758
			611073	611074	611159	611195	611196
1	PKG - Seal (inc 9 & 10)	-	703011	703011	703011	703011	703011
2	Seal - Pinion	9	50574	50574	50574	50574	50574
3	End Yoke	11	3-4-14531-1	3-4-14531-1	3-4-14531-1	3-4-14531-1	3-4-14531-1
4	Nut - Pinion	13	30271	30271	30271	30271	30271
5	Plug - Carrier Cover	15	43180	43180	43180	43180	43180
6	Pinion - Differential	24	34367	34367	34367	34367	34367
7	Thrustwasher - Diff Pinion	25	34730	34730	34730	34730	34730
8	Gear - Differential (std)	26	35625	35625	35625	35625	35625
9	Guide Tube	31	48059	48059	48058	48058	48059
10	Bushing	34	44507	44507	44507	44507	44507
11	Nut - Knuckle	39	48660	48660	48660	48660	48660
12	Seal - Oil	45	50491	50491	50491	50491	50491
13	Dust Shield	47	47889	47758	47758	47758	47889
			611197	611198	611199	611201	611299
1	PKG - Seal (inc 9 & 10)	-	703011	-	-	703011	703011
2	Seal - Pinion	9	50574	-	-	50574	50574
3	End Yoke	11	3-4-14531-1	-	-	3-4-14531-1	3-4-14531-1
4	Nut - Pinion	13	30271	-	-	30271	30271
5	Plug - Carrier Cover	15	43180	-	-	43180	43180
6	Pinion - Differential	24	34367	-	-	34367	34367
7	Thrustwasher - Diff Pinion	25	34730	-	-	34730	34730
8	Gear - Differential (std)	26	35625	-	-	35625	35625
9	Guide Tube	31	48058	-	-	48059	48058
10	Bushing	34	44507	44507	44507	44507	44507
11	Nut - Knuckle	39	48660	48660	48660	48660	48660
12	Seal - Oil	45	50491	-	-	50491	50491
13	Dust Shield	47	47758	-	-	47889	47758

Ford 60 /248 Front Variable Parts Listing

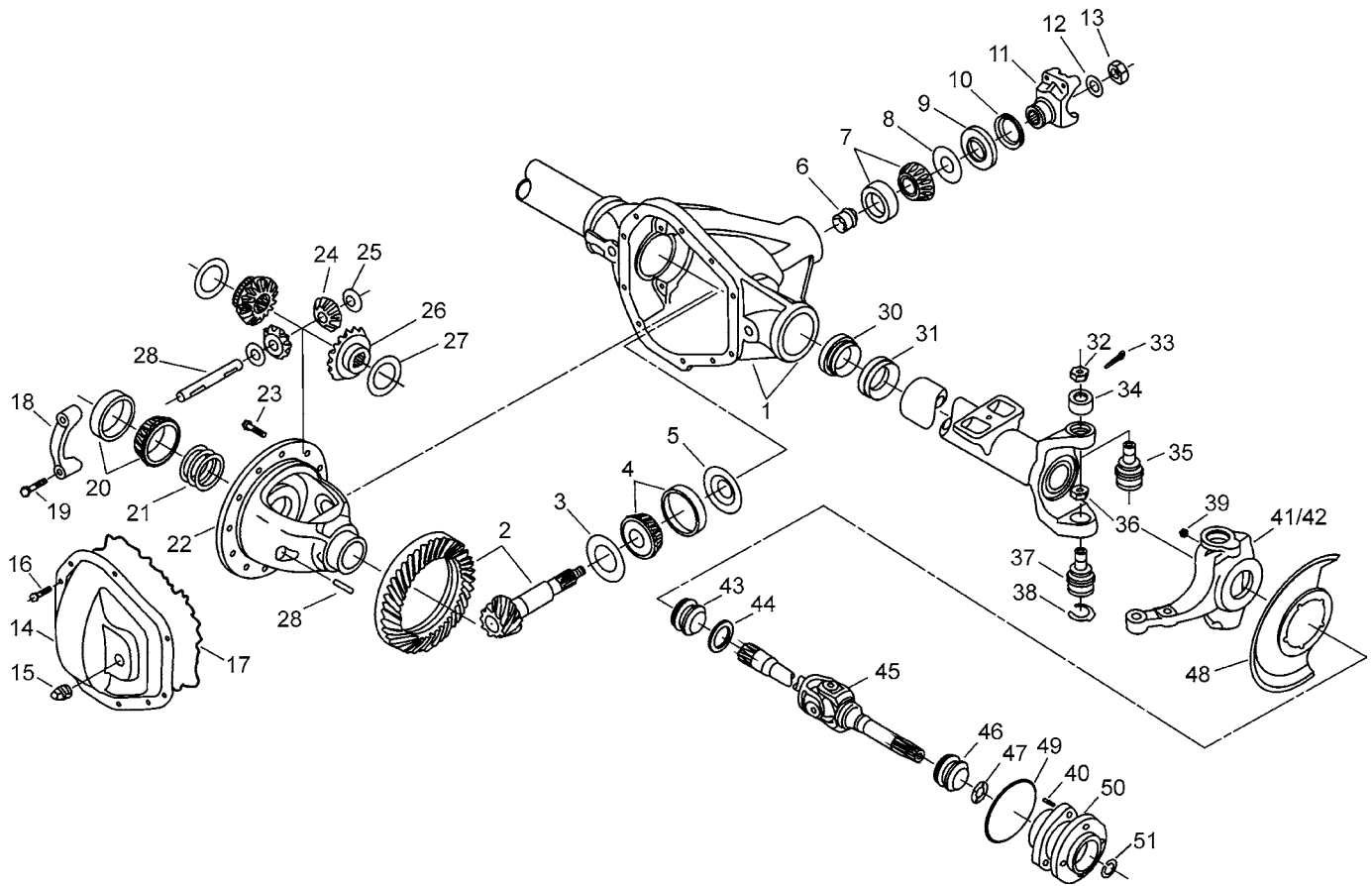


Kits & Parts - Use With All Applications							
Description & Item Number (Refer to "Exploded View" at the front of this section)			Bills of Material				
			611300	611301	611302	611303	611304
1	PKG - Seal (inc 9 & 10)	-	703011	701164X	703011	701164X	-
2	Seal - Pinion	9	50574	47885	50574	47885	-
3	End Yoke	11	3-4-14531-1	3-4-14531-1	3-4-14531-1	3-4-14531-1	-
4	Nut - Pinion	13	30271	30271	30271	30271	-
5	Plug - Carrier Cover	15	43180	43180	43180	43180	-
6	Pinion - Differential	24	34367	34367	34367	34367	-
7	Thrustwasher - Diff Pinion	25	34730	34730	34730	34730	-
8	Gear - Differential (std)	26	35625	35625	35625	35625	-
9	Guide Tube	31	48058	48059	48059	48058	-
10	Bushing	34	44507	44507	44507	44507	44507
11	Nut - Knuckle	39	48660	48660	48660	48660	48660
12	Seal - Oil	45	50491	50491	50491	50491	-
13	Dust Shield	47	47758	47758	47889	47758	-
			611305	611337	611338	611339	611340
1	PKG - Seal (inc 9 & 10)	-	-	703011	703011	703011	701164X
2	Seal - Pinion	9	-	50574	50574	50574	47885
3	End Yoke	11	-	3-4-14531-1	3-4-14531-1	3-4-14531-1	3-4-14531-1
4	Nut - Pinion	13	-	30271	30271	30271	30271
5	Plug - Carrier Cover	15	-	43180	43180	43180	43180
6	Pinion - Differential	24	-	34367	34367	34367	34367
7	Thrustwasher - Diff Pinion	25	-	34730	34730	34730	34730
8	Gear - Differential (std)	26	-	35625	35625	35625	35625
9	Guide Tube	31	-	48059	48058	48059	48058
10	Bushing	34	44507	44507	44507	44507	44507
11	Nut - Knuckle	39	48660	48660	48660	48660	48660
12	Seal - Oil	45	-	54520	50491	50491	54520
13	Dust Shield	47	-	47758	47758	47889	47758
			611341	611342			
1	PKG - Seal (inc 9 & 10)	-	-	-			
2	Seal - Pinion	9	-	-			
3	End Yoke	11	-	-			
4	Nut - Pinion	13	-	-			
5	Plug - Carrier Cover	15	-	-			
6	Pinion - Differential	24	-	-			
7	Thrustwasher - Diff Pinion	25	-	-			
8	Gear - Differential (std)	26	-	-			
9	Guide Tube	31	-	-			
10	Bushing	34	44507	44507			
11	Nut - Knuckle	39	48660	48660			
12	Seal - Oil	45	-	-			
13	Dust Shield	47	-	-			

NOTES

**Model Super 60 /256
Front Axles for
6K & 7K Monobeam Coil
F-250, F-350, F-450, F-550**

Ford Super 60 /256 Front Exploded View



Ford Super 60 /256 Front Parts Listing



ITEM NO.	PART NUMBER	DESCRIPTION	ITEM NO.	PART NUMBER	DESCRIPTION
1	-(3)	Housing - Axle Service	28	44810	Lock - Differential Shaft
2	-(1)	Drive Pinion & Gear Kit	29	30263	Shaft - Differential
3	703032	Shim - Inner Pinion Adj Package	30	52148	Seal - Guide Tube
	55037	Slinger (used on Dead Front only)	31	-(2)	Guide Tube
4	706046X	Inner Pinion Bearing		-(2)	KIT - Socket Assembly
5	30982	Baffle - Pinion Bearing			(inc 32,33,35,36,37 & 38)
6	45658	Collapsible Spacer	32	44101	Nut - Hex Slotted
7	706045X	KIT - Outer Pinion Bearing	33	500024-8	Pin - Cotter
8	42737	Thrustwasher - Bearing		-(5)	(Alternate Bushing Selection)
9	-(2)	Seal - Pinion	34	-(3)	Bushing
10	47886	Seal - End Yoke	35	-(2)	Socket - Upper
11	3-4-14531-1	End Yoke	36	44133	Nut - Hex Jam
12	30275	Washer - Pinion Nut	37	-(2)	Socket - Lower
13	2001153	Nut - Pinion	38	-(2)	Snap Ring
14	47707-1	Cover - Carrier	39	48660	Nut - Knuckle
15	-(2)	Plug - Carrier Cover	40	-(2)	Stud
16	-(2)	Bolt - Carrier Cover (qty 10)	41	-(3)	Knuckle - Right
17	34687	Gasket - Carrier Cover	42	-(3)	Knuckle - Left
18	-(3)	Cap - Differential Bearing	43	-(2)	Seal - Oil
19	48632-2	Bolt - Differential Bearing Cap	44	-(2)	Guide - Axle
20	706047X	KIT - Differential Bearing	45	-(1)	Shaft & Joint Assembly
21	708012	KIT - Diff Brg Adj Shim (inc 17)	46	55474	Seal - Oil
22	-(1)	Case - Differential	47	-(3)	Thrustwasher
23	40638	Bolt - Drive Gear (qty 12)	48	-(3)	Dust Shield
24	55654	Pinion - Differential	49	54983	O-Ring
25	54630	Thrustwasher - Diff Pinion	50	-(3)	Hub Assembly
26	55650	Gear - Differential (std)	51	2002360	Snap Ring
27	34729	Thrustwasher - Diff Gear			

- (1) See "Bill of Material Table" on next page
(2) See "Variable Parts Table" within this section
(3) Contact Vehicle Manufacturer
(4) Not Sold Separately
(5) See Camber/Casting Bushing Table in the back of this catalog

Ford Super 60 /256 Front Bill of Material Table

Axle			Axle Kits				Shaft & Joint Assy.	
Bill of Material	Diff. Type	Ratio	Ring Gear & Pinion Kit ⁽⁷⁾	Differential			Right Hand Shaft Assy.	Left Hand Shaft Assy.
				Case Assy. Kit ⁽⁸⁾	Case Kit	Inner Parts Kit		
2002-03 6K Monobeam Coil, F-250/F-350								
611273-1	Standard	4.30	708233-3(10)	2005502	706040X	708236	85155-1	85155-2
611273-2	Standard	4.30	708233-3(10)	2005502	706040X	708236	85155-1	85155-2
611273-3	Standard	4.88	708233-4(10)	2005501	706041X	708236	85155-1	85155-2
611273-4	Standard	4.88	708233-4(10)	2005501	706041X	708236	85155-1	85155-2
611273-5	Standard	5.38	708233-5(10)	2005501	706041X	708236	85155-1	85155-2
611273-6	Standard	5.38	708233-5(10)	2005501	706041X	708236	85155-1	85155-2
2004 6K Monobeam Coil, F-250/F-350								
611356-1	Standard	3.73	2007117(10)	2005502	706040X	708236	84910-1	84910-2
611356-2	Standard	4.10	708233-2(10)	2005502	706040X	708236	84910-1	84910-2
611356-3	Standard	4.30	708233-3(10)	2005502	706040X	708236	84910-1	84910-2
611357-1	Standard	3.73	2007117(10)	2005502	706040X	708236	84910-1	84910-2
611357-2	Standard	4.10	708233-2(10)	2005502	706040X	708236	84910-1	84910-2
611357-3	Standard	4.30	708233-3(10)	2005502	706040X	708236	84910-1	84910-2
2004 6K/7K Monobeam Coil, Dead Front								
611359								
2004 7K Monobeam Coil, F-450/F-550								
611358-1	Standard	4.30	708233-3(10)	2005502	706040X	708236	85155-3	85155-4
611358-2	Standard	4.88	708233-4(10)	2005501	706041X	708236	85155-3	85155-4
611358-3	Standard	5.38	708233-5(10)	2005501	706041X	708236	85155-3	85155-4
2005 6K Monobeam Coil, F-250/F-350								
2003729-1	Standard	3.73	2007117(10)	2005502	706040X	708236	84910-1	84910-2
2003729-2	Standard	4.10	708233-2(10)	2005502	706040X	708236	84910-1	84910-2
2005 6K/7K Monobeam Coil, Dead Front								
2003478								
2005 7K Monobeam Coil, F-450/F-550								
2003475-1	Standard	4.30	708233-3(10)	2005502	706040X	708236	85155-3	85155-4
2003475-2	Standard	4.88	708233-4(10)	2005501	706041X	708236	85155-3	85155-4
2003475-3	Standard	5.38	708233-5(10)	2005501	706041X	708236	85155-3	85155-4
2005-06 6K Monobeam Coil, F-250/F-350								
2003204-1	Standard	3.73	2007117(10)	2005502	706040X	708236	2006005-1	2006005-2
2003204-2	Standard	4.10	708233-2(10)	2005502	706040X	708236	2006005-1	2006005-2
2003204-3	Standard	4.30	708233-3(10)	2005502	706040X	708236	2006005-1	2006005-2
2003205-1	Standard	3.73	2007117(10)	2005502	706040X	708236	2006005-1	2006005-2
2003205-2	Standard	4.10	708233-2(10)	2005502	706040X	708236	2006005-1	2006005-2
2003205-3	Standard	4.30	708233-3(10)	2005502	706040X	708236	2006005-1	2006005-2
2004632-1	Standard	3.73	2007117(10)	2005502	706040X	708236	84910-1	84910-2
2004632-2	Standard	4.10	708233-2(10)	2005502	706040X	708236	84910-1	84910-2
2004632-3	Standard	4.30	708233-3(10)	2005502	706040X	708236	84910-1	84910-2
2004633-1	Standard	3.73	2007117(10)	2005502	706040X	708236	84910-1	84910-2
2004633-2	Standard	4.10	708233-2(10)	2005502	706040X	708236	84910-1	84910-2
2004633-3	Standard	4.30	708233-3(10)	2005502	706040X	708236	84910-1	84910-2

Continued on next page

(7) See Ring Gear & Pinion Kits in XGI Catalog for ratio & tooth combinations.

(8) See Differential Case Assy Kits in XGI Catalog for spline data & ratios.

(10) Reverse Spiral Bevel

Ford Super 60 /256 Front Bill of Material Table



Axle			Axle Kits				Shaft & Joint Assy.	
Bill of Material	Diff. Type	Ratio	Ring Gear & Pinion Kit ⁽⁷⁾	Differential			Right Hand Shaft Assy.	Left Hand Shaft Assy.
				Case Assy. Kit ⁽⁸⁾	Case Kit	Inner Parts Kit		
2005-06 6K Monobeam Coil, F-250/F-350 (Continued)								
2006813-1	Standard	3.73	2007117(10)	2005502	706040X	708236	2006820-1	2006820-2
2006813-2	Standard	4.10	2007118(10)	2005502	706040X	708236	2006820-1	2006820-2
2006813-3	Standard	4.30	708233-3(10)	2005502	706040X	708236	2006820-1	2006820-2
2006814-1	Standard	3.73	2007117(10)	2005502	706040X	708236	2006820-1	2006820-2
2006814-2	Standard	4.10	2007118(10)	2005502	706040X	708236	2006820-1	2006820-2
2006814-3	Standard	4.30	708233-3(10)	2005502	706040X	708236	2006820-1	2006820-2
2005-06 7K Monobeam Coil, F-450/F-550								
2003206-1	Standard	4.30	708233-3(10)	2005502	706040X	708236	2006007-1	2006007-2
2003206-2	Standard	4.88	708233-4(10)	2005501	706041X	708236	2006007-1	2006007-2
2003206-3	Standard	5.38	708233-5(10)	2005501	706041X	708236	2006007-1	2006007-2
2005-07 6K/7K Monobeam Coil, Dead Front								
2003207								
2006816								
2006 7K Monobeam Coil, F-450/F-550								
2005127-1	Standard	4.30	708233-3(10)	2005502	706040X	708236	85155-3	85155-4
2005127-2	Standard	4.88	708233-4(10)	2005501	706041X	708236	85155-3	85155-4
2005127-3	Standard	5.38	708233-5(10)	2005501	706041X	708236	85155-3	85155-4
2006815-1	Standard	4.30	708233-3(10)	2005502	706040X	706236	2006821-1	2006821-2
2006815-2	Standard	4.88	708233-4(10)	2005501	706041X	708236	2006821-1	2006821-2
2006815-3	Standard	5.38	708233-5(10)	2005501	706041X	708236	2006821-1	2006821-2
2007-08 6K Monobeam Coil, F-250/F-350								
2008007-1	Standard	3.73	2007117(10)	2005502	706040X	708236	2006820-1	2006820-2
2008007-2	Standard	4.10	2007118(10)	2005502	706040X	708236	2006820-1	2006820-2
2008007-3	Standard	4.30	708233-3(10)	2005502	706040X	708236	2006820-1	2006820-2
2008007-4	Standard	3.73	2007117(10)	2005502	706040X	708236	2006820-1	2006820-2
2008007-5	Standard	4.10	2007118(10)	2005502	706040X	708236	2006820-1	2006820-2
2008007-6	Standard	4.30	708233-3(10)	2005502	706040X	708236	2006820-1	2006820-2
2008007-7	Standard	3.55	2009523(10)	2005502	706040X	708236	2006820-1	2006820-2
2009785-1	Standard	3.73	2007117(10)	2005502	706040X	708236	2006820-1	2006820-2
2009785-2	Standard	4.10	2007118(10)	2005502	706040X	708236	2006820-1	2006820-2
2009785-3	Standard	4.30	708233-3(10)	2005502	706040X	708236	2006820-1	2006820-2
2009785-4	Standard	3.73	2007117(10)	2005502	706040X	708236	2006820-1	2006820-2
2009785-5	Standard	4.10	2007118(10)	2005502	706040X	708236	2006820-1	2006820-2
2009785-6	Standard	4.30	708233-3(10)	2005502	706040X	708236	2006820-1	2006820-2
2009785-7	Standard	3.55	2009523(10)	2005502	706040X	708236	2006820-1	2006820-2
2007-08 7K Monobeam Coil, F-450/F-550								
2008190-1	Standard	4.30	708233-3(10)	2005502	706040X	708236	2006821-1	2006821-2
2008190-2	Standard	4.88	708233-4(10)	2005501	706041X	708236	2006821-1	2006821-2
2008190-3	Standard	5.38	708233-5(10)	2005501	706041X	708236	2006821-1	2006821-2
2007-09 6K/7K Monobeam Coil, Dead Front								
2008191								

(7) See Ring Gear & Pinion Kits in XGI Catalog for ratio & tooth combinations.

(8) See Differential Case Assy Kits in XGI Catalog for spline data & ratios.

(10) Reverse Spiral Bevel

Ford Super 60 /256 Front Bill of Material Table

Axle			Axle Kits				Shaft & Joint Assy.	
Bill of Material	Diff. Type	Ratio	Ring Gear & Pinion Kit ⁽⁷⁾	Differential			Right Hand Shaft Assy.	Left Hand Shaft Assy.
				Case Assy. Kit ⁽⁸⁾	Case Kit	Inner Parts Kit		
2008 6K Monobeam Coil, F-250/F-350								
2006738-1	Standard	3.73	2007117(10)	2005502	706040X	708236	2006729-1	2006729-2
2006738-2	Standard	4.10	2007118(10)	2005502	706040X	708236	2006729-1	2006729-2
2006738-3	Standard	4.30	708233-3(10)	2005502	706040X	708236	2006729-1	2006729-2
2009786-1	Standard	3.73	2007117(10)	2005502	706040X	708236	2006729-1	2006729-2
2009786-2	Standard	4.10	2007118(10)	2005502	706040X	708236	2006729-1	2006729-2
2009786-3	Standard	4.30	708233-3(10)	2005502	706040X	708236	2006729-1	2006729-2
2008 7K Monobeam Coil, F-450/F-550								
2009787-1	Standard	4.30	708233-3(10)	2005502	706040X	708236	2006821-1	2006821-2
2009787-2	Standard	4.88	708233-4(10)	2005501	706041X	708236	2006821-1	2006821-2
2009787-3	Standard	5.38	708233-5(10)	2005501	706041X	708236	2006821-1	2006821-2
2009 6K/7K Monobeam Coil, Dead Front								
2009788								
2011584								
2009 7K Monobeam Coil, F-450/F-550								
2011583-1	Standard	4.30	708233-3(10)	2005502	706040X	708236	2006821-1	2006821-2
2011583-2	Standard	4.88	708233-4(10)	2005501	706041X	708236	2006821-1	2006821-2
2011583-3	Standard	5.38	708233-5(10)	2005501	706041X	708236	2006821-1	2006821-2
2009 1/2 6K Monobeam Coil, F-250/F-350								
2011581-1	Standard	3.73	2007117(10)	2005502	706040X	708236	2006820-1	2006820-2
2011581-2	Standard	4.10	2007118(10)	2005502	706040X	708236	2006820-1	2006820-2
2011581-3	Standard	4.30	708233-3(10)	2005502	706040X	708236	2006820-1	2006820-2
2011581-4	Standard	3.73	2007117(10)	2005502	706040X	708236	2006820-1	2006820-2
2011581-5	Standard	4.10	2007118(10)	2005502	706040X	708236	2006820-1	2006820-2
2011581-6	Standard	4.30	708233-3(10)	2005502	706040X	708236	2006820-1	2006820-2
2011581-7	Standard	3.55	2009523(10)	2005502	706040X	708236	2006820-1	2006820-2
2011581-8	Standard	3.55	2009523(10)	2005502	706040X	708236	2006820-1	2006820-2
2011582-1	Standard	3.73	2007117(10)	2005502	706040X	708236	2006729-1	2006729-2
2011582-2	Standard	4.10	2007118(10)	2005502	706040X	708236	2006729-1	2006729-2
2011582-3	Standard	4.30	708233-3(10)	2005502	706040X	708236	2006729-1	2006729-2
2010 6K Monobeam Coil, F-250/F-350								
2012290-1	Standard	3.73	2007117(10)	2005502	706040X	708236	2013564-1	2013564-2
2012290-2	Standard	4.10	2007118(10)	2005502	706040X	708236	2013564-1	2013564-2
2012290-3	Standard	4.30	708233-3(10)	2005502	706040X	708236	2013564-1	2013564-2
2012290-4	Standard	3.73	2007117(10)	2005502	706040X	708236	2013564-1	2013564-2
2012290-5	Standard	4.10	2007118(10)	2005502	706040X	708236	2013564-1	2013564-2
2012290-7	Standard	3.55	2009523(10)	2005502	706040X	708236	2013564-1	2013564-2
2012290-8	Standard	3.55	2009523(10)	2005502	706040X	708236	2013564-1	2013564-2
2012290-9	Standard	3.31	2012567(10)	2005502	706040X	708236	2013564-1	2013564-2

Continued on next page

(7) See Ring Gear & Pinion Kits in XGI Catalog for ratio & tooth combinations.

(8) See Differential Case Assy Kits in XGI Catalog for spline data & ratios.

(10) Reverse Spiral Bevel

Ford Super 60 /256 Front Bill of Material Table



Axle			Axle Kits				Shaft & Joint Assy.	
Bill of Material	Diff. Type	Ratio	Ring Gear & Pinion Kit ⁽⁷⁾	Differential			Right Hand Shaft Assy.	Left Hand Shaft Assy.
				Case Assy. Kit ⁽⁸⁾	Case Kit	Inner Parts Kit		
2010 6K Monobeam Coil, F-250/F-350 (Continued)								
2013916-1	Standard	3.73	2007117(10)	2005502	706040X	708236	2006820-1	2006820-2
2013916-2	Standard	4.10	2007118(10)	2005502	706040X	708236	2006820-1	2006820-2
2013916-3	Standard	4.30	708233-3(10)	2005502	706040X	708236	2006820-1	2006820-2
2013916-4	Standard	3.73	2007117(10)	2005502	706040X	708236	2006820-1	2006820-2
2013916-5	Standard	4.10	2007118(10)	2005502	706040X	708236	2006820-1	2006820-2
2013916-6	Standard	4.30	708233-3(10)	2005502	706040X	708236	2006820-1	2006820-2
2013916-7	Standard	3.55	2009523(10)	2005502	706040X	708236	2006820-1	2006820-2
2013916-8	Standard	3.55	2009523(10)	2005502	706040X	708236	2006820-1	2006820-2
2013916-9	Standard	3.31	2012567(10)	2005502	706040X	708236	2006820-1	2006820-2
2014038-1	Standard	3.73	2007117(10)	2005502	706040X	708236	2013564-1	2013564-2
2014038-2	Standard	4.10	2007118(10)	2005502	706040X	708236	2013564-1	2013564-2
2014038-9	Standard	3.31	2012567(10)	2005502	706040X	708236	2013564-1	2013564-2
2010 6K/7K Monobeam Coil, Dead Front								
2013918								
2013985								
2010 7K Monobeam Coil, F-450/F-550								
2012292-1	Standard	4.30	708233-3(10)	2005502	706040X	708236	2013565-1	2013565-2
2012292-2	Standard	4.88	708233-4(10)	2005501	706041X	708236	2013565-1	2013565-2
2012292-3	Standard	5.38	708233-5(10)	2005501	706041X	708236	2013565-1	2013565-2
2013917-1	Standard	4.30	708233-3(10)	2005502	706040X	708236	2006821-1	2006821-2
2013917-2	Standard	4.88	708233-4(10)	2005501	706041X	708236	2006821-1	2006821-2
2013917-3	Standard	5.38	708233-5(10)	2005501	706041X	708236	2006821-1	2006821-2
2014039-1	Standard	4.30	708233-3(10)	2005502	706040X	708236	2013565-1	2013565-2
2014039-2	Standard	4.88	708233-4(10)	2005501	706041X	708236	2013565-1	2013565-2
2014039-3	Standard	5.38	708233-5(10)	2005501	706041X	708236	2013565-1	2013565-2
2011 6K Monobeam Coil, F-250/F-350								
2013981-1	Standard	3.73	2007117(10)	2005502	706040X	708236	2013564-1	2013564-2
2013982-1	Standard	3.73	2007117(10)	2005502	706040X	708236	2013564-1	2013564-2
2013983-1	Standard	4.30	708233-3(10)	2005502	706040X	708236	2013563-1	2013563-2
2013982-2	Standard	4.10	2007118(10)	2005502	708040X	708236	2013564-1	2013564-2
2013981-3	Standard	4.30	708233-3(10)	2005502	706040X	708236	2013564-1	2013564-2
2013982-3	Standard	4.30	708233-3(10)	2005502	706040X	708236	2013564-1	2013564-2
2013981-4	Standard	3.55	2009523(10)	2005502	706040X	708236	2013564-1	2013564-2
2013981-5	Standard	3.55	2009523(10)	2005502	706040X	708236	2013564-1	2013564-2
2013981-6	Standard	3.31	2012567(10)	2005502	706040X	708236	2013564-1	2013564-2
2011 7K Monobeam Coil, F-450/F-550								
2013984-1	Standard	4.30	708233-3(10)	2005502	706040X	708236	2013565-1	2013565-2
2013984-2	Standard	4.88	708233-4(10)	2005501	706041X	708236	2013565-1	2013565-2
2013984-4	Standard	4.10	2007118(10)	2005502	706040X	708236	2013565-1	2013565-2

(7) See Ring Gear & Pinion Kits in XGI Catalog for ratio & tooth combinations.

(8) See Differential Case Assy Kits in XGI Catalog for spline data & ratios.

(10) Reverse Spiral Bevel

Ford Super 60 /256 Front Variable Parts Listing

Kits & Parts - Use With All Applications							
Description & Item Number (Refer to "Exploded View" at the front of this section)			Bills of Material				
			2003204	2003205	2003206	2003207	2003475
1	Seal - Pinion	9	50574	50574	50574	-	50574
2	Plug - Carrier Cover	15	55674	55674	55674	-	55674
3	Bolt - Carrier Cover (qty 10)	16	47508-2	47508-2	47508-2	-	47508-2
4	Guide Tube	31	53987	53987	53988	-	-
5	KIT - Socket Assembly	-	708238	708238	-	708240	708240
6	Socket - Upper	35	55423	55423	2012505	55426	55426
7	Socket - Lower	37	55424	55424	2012506	55427	55427
8	Snap Ring	38	620343	620343	54091-1	54091-1	54091-1
9	Stud	40	53644-1	53644-1	53644-2	53644-2	53644-2
10	Seal - Oil	43	2005932	2005932	2005932	-	53877
11	Guide - Axle	44	54755-1	54755-1	54755-2	-	54755-2
			2003478	2003729	2004632	2004633	2005127
1	Seal - Pinion	9	-	50574	50574	50574	50574
2	Plug - Carrier Cover	15	-	55674	55674	55674	55674
3	Bolt - Carrier Cover (qty 10)	16	-	47508-2	47508-2	47508-2	47508-2
4	Guide Tube	31	-	-	-	-	-
5	KIT - Socket Assembly	-	708240	708238	708238	708238	708240
6	Socket - Upper	35	55426	55423	55423	55423	55426
7	Socket - Lower	37	55427	55424	55424	55424	55427
8	Snap Ring	38	54091-1	620343	620343	620343	54091-1
9	Stud	40	53644-2	53644-1	53644-1	53644-1	53644-2
10	Seal - Oil	43	-	53877	53877	53877	53877
11	Guide - Axle	44	-	54755-1	54755-1	54755-1	54755-2
			2006738	2006813	2006814	2006815	2006816
1	Seal - Pinion	9	50574	50574	50574	50574	-
2	Plug - Carrier Cover	15	55674	55674	55674	55674	-
3	Bolt - Carrier Cover (qty 10)	16	47508-2	47508-2	47508-2	47508-2	-
4	Guide Tube	31	53987	53987	53987	53988	-
5	KIT - Socket Assembly	-	708238	2007883	2007883	708240	708240
6	Socket - Upper	35	55423	2007843	2007843	55426	55426
7	Socket - Lower	37	55424	55424	55424	55427	55427
8	Snap Ring	38	630343	620343	620343	54091-1	54091-1
9	Stud	40	53644-1	53644-1	53644-1	53644-2	53644-2
10	Seal - Oil	43	2005932	2005932	2005932	2005932	-
11	Guide - Axle	44	-	-	-	-	-
			2008007	2008190	2008191	2009785	2009786
1	Seal - Pinion	9	2008910	2008910	-	2009802	2009802
2	Plug - Carrier Cover	15	55674	43180	-	55674	55674
3	Bolt - Carrier Cover (qty 10)	16	47508-2	47508-2	-	47508-2	47508-2
4	Guide Tube	31	53987	53988	-	53987	53987
5	KIT - Socket Assembly	-	708238	708240	708240	708238	708238
6	Socket - Upper	35	55423	55426	55426	55423	55423
7	Socket - Lower	37	55424	55427	55427	55424	55424
8	Snap Ring	38	620343	54091-1	54091-1	620343	620343
9	Stud	40	53644-1	53644-2	53644-2	53644-1	53644-1
10	Seal - Oil	43	2005932	2005932	-	2005932	2005932
11	Guide - Axle	44	-	-	-	-	-

Ford Super 60 /256 Front Variable Parts Listing



Kits & Parts - Use With All Applications							
Description & Item Number (Refer to "Exploded View" at the front of this section)			Bills of Material				
			2009787	2009788	2011581	2011582	2011583
1	Seal - Pinion	9	2008910	-	50574	50574	2008910
2	Plug - Carrier Cover	15	43180	-	43180	55674	43180
3	Bolt - Carrier Cover (qty 10)	16	2009802	-	47508-2	47508-2	2009802
4	Guide Tube	31	2007736	-	53987	53987	2007736
5	KIT - Socket Assembly	-	708240	708240	708238	708238	708240
6	Socket - Upper	35	55426	55426	55423	55423	55426
7	Socket - Lower	37	55427	55427	55424	55424	55427
8	Snap Ring	38	54091-1	54091-1	620343	620343	54091-1
9	Stud	40	53644-2	53644-2	53644-1	53644-1	53644-2
10	Seal - Oil	43	2005932	-	2005932	2005932	2005932
11	Guide - Axle	44	-	-	-	-	-
			2011584	2012290	2012292	2013916	2013917
1	Seal - Pinion	9	-	50574	2008910	50574	2008910
2	Plug - Carrier Cover	15	-	43180	43180	43180	43180
3	Bolt - Carrier Cover (qty 10)	16	-	47508-2	2009802	47508-2	2009802
4	Guide Tube	31	-	53987	2007736	53987	2007736
5	KIT - Socket Assembly	-	708240	708238	708240	708238	708240
6	Socket - Upper	35	55426	55423	55426	55423	55426
7	Socket - Lower	37	55427	55424	55427	55424	55427
8	Snap Ring	38	54091-1	620343	54091-1	620343	54091-1
9	Stud	40	53644-2	53644-1	53644-2	53644-1	53644-2
10	Seal - Oil	43	-	2014835	2014835	2005932	2005932
11	Guide - Axle	44	-	-	-	-	-
			2013918	2013981	2013982	2013983	2013984
1	Seal - Pinion	9	-	50574	50574	50574	2008910
2	Plug - Carrier Cover	15	-	43180	43180	55674	43180
3	Bolt - Carrier Cover (qty 10)	16	-	47508-2	47508-2	47508-2	2009802
4	Guide Tube	31	-	53987	53987	53987	2007736
5	KIT - Socket Assembly	-	708240	708238	708238	708238	-
6	Socket - Upper	35	55426	55423	55423	55423	2012505
7	Socket - Lower	37	55427	55424	55424	55424	2012506
8	Snap Ring	38	54091-1	620343	620343	620343	54091-1
9	Stud	40	53644-2	53644-1	53644-1	53644-1	53644-2
10	Seal - Oil	43	-	2014835	2014835	2014835	2014835
11	Guide - Axle	44	-	-	-	-	-
			2013985	2014038	2014039	611273	611356
1	Seal - Pinion	9	-	50574	2008910	50574	50574
2	Plug - Carrier Cover	15	-	43180	43180	43180	55674
3	Bolt - Carrier Cover (qty 10)	16	-	47508-2	2009802	47508-2	47508-2
4	Guide Tube	31	-	53987	2007736	53988	-
5	KIT - Socket Assembly	-	-	708238	708240	-	708238
6	Socket - Upper	35	2012505	55423	55426	52613	55423
7	Socket - Lower	37	2012506	55424	55427	52615	55424
8	Snap Ring	38	54091-1	620343	54091-1	54091-1	620343
9	Stud	40	53644-2	53644-1	53644-2	53644-2	53644-1
10	Seal - Oil	43	-	2014835	2014835	53877	53877
11	Guide - Axle	44	-	-	-	54755-2	54755-1



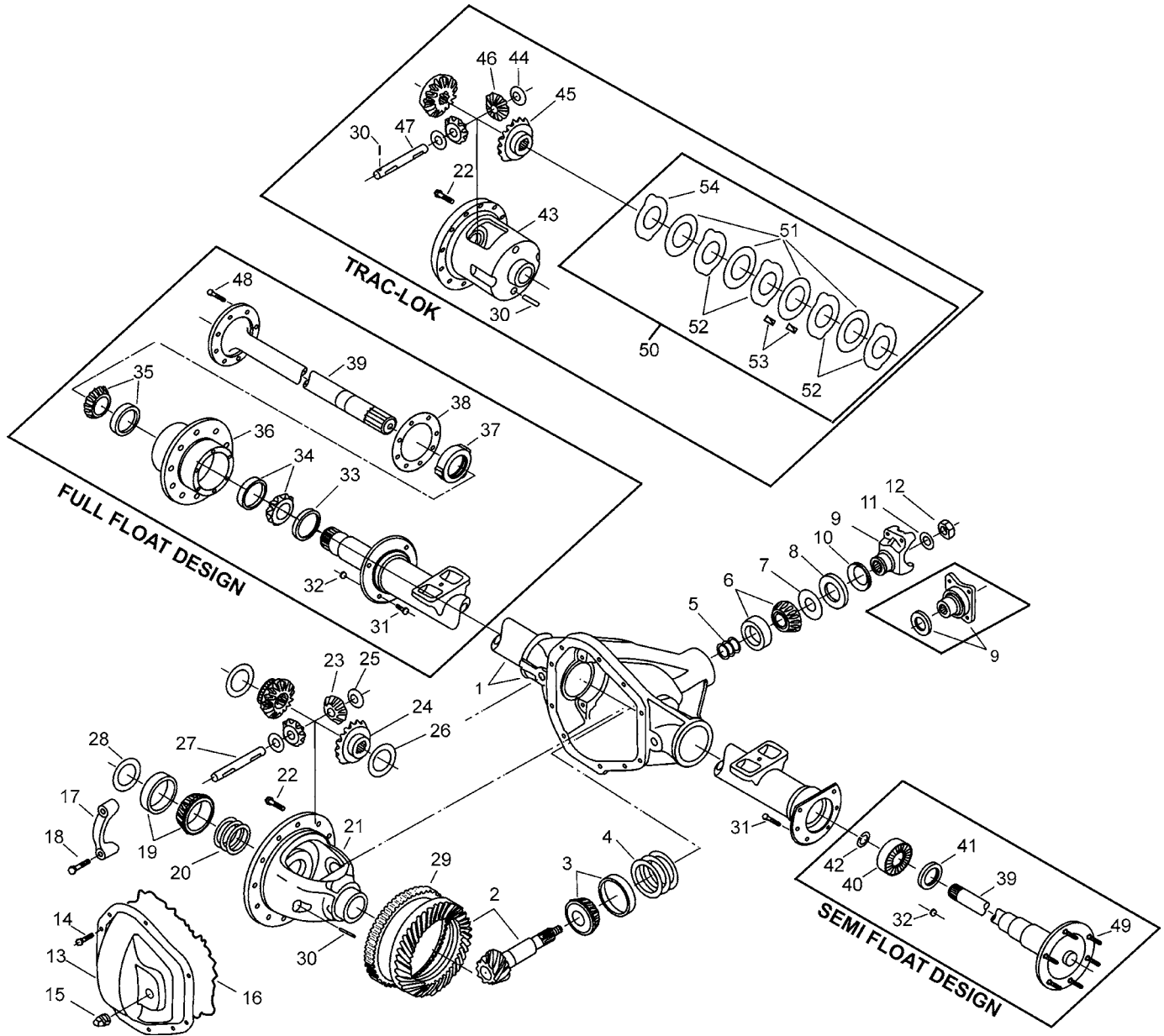
Ford Super 60 /256 Front Variable Parts Listing

X510-2

Kits & Parts - Use With All Applications						
Description & Item Number (Refer to "Exploded View" at the front of this section)			Bills of Material			
			611357	611358	611359	
1	Seal - Pinion	9	50574	50574	-	
2	Plug - Carrier Cover	15	55674	55674	-	
3	Bolt - Carrier Cover (qty 10)	16	47508-2	47508-2	-	
4	Guide Tube	31	-	-	-	
5	KIT - Socket Assembly	-	708238	708240	708240	
6	Socket - Upper	35	55423	55426	55426	
7	Socket - Lower	37	55424	55427	55427	
8	Snap Ring	38	620343	54091-1	54091-1	
9	Stud	40	53644-1	53644-2	53644-2	
10	Seal - Oil	43	53877	53877	-	
11	Guide - Axle	44	54755-1	54755-2	-	

**Model 60 /248
Rear Axles for
E-150, E-250, E-350**

Ford 60 /248 Rear Exploded View



Ford 60 /248 Rear Parts Listing

ITEM NO.	PART NUMBER	DESCRIPTION	ITEM NO.	PART NUMBER	DESCRIPTION
1	-(3)	Housing - Axle Service	27	30263	Shaft - Differential (std)
2	-(1)	Drive Pinion & Gear Kit	28	47560(9)	Spacer - Diff Bearing
3	706046X	KIT - Inner Pinion Bearing	29	-(2)	Tone Ring (ABS only)
	-(2)	PKG - Differential & Pinion Shim (inc 4, 5, 11, 12, 30)	30	-(2)	Lock - Differential Shaft
	701012-1X	PKG - Pinion Bearing Shim (inc 4, 5)	31	-(3)	Bolt - Brake Mounting
4	-	Inner Pinion Shims	32	-(3)	Nut - Brake Mounting
5	-(4)	Outer Pinion Shims	33	-(2)	Seal - Hub (Full Float)
6	706045X	KIT - Outer Pinion Bearing	34	706179X	KIT - Inner Wheel Brg (Full Float)
7	42737	Thrustwasher	35	706074X	KIT - Outer Wheel Brg (Full Float)
8	-(2)	Seal - Pinion Oil	36	-(3)	Hub - Wheel
9	-(2)	Companion Flange Assy	37	43075	Nut - Spindle (Full Float)
10	-(2)	Slinger		43075	Nut - Spindle(LH-FF)(Variable)
11	30275	Washer - Pinion Nut	38	39697	Gasket (Full Float)
12	-(2)	Pinion Nut	39	-(1)	Shaft - Axle Flanged Drive
	-(2)	KIT - Carrier Cover (inc items 13, 14, 15)		706847-1X	KIT - Unit Brg & Seal (Semi Float) (inc items 16, 30, 40, 41)
13	-(2)	Carrier Cover	40	566117	Wheel Brg Assembly (Semi Float)
14	47508-1	Bolt - Carrier Cover	41	46995	Seal - Inboard Oil (Semi Float)
15	-(2)	Plug - Carrier Cover	42	39213	Retainer - Axle Shaft (Semi Float)
16	34687	Gasket - Carrier Cover	43	-(1)	Case - Differential (t/l)
	38615	RTV Silicone Sealant	44	34730	Thrustwasher - Diff Pinion (t/l)
17	-(3)	Differential Bearing Cap	45	-(2)	Gear - Differential (t/l)
18	48632-1	Bolt - Differential Bearing Cap	46	-(2)	Pinion - Differential (t/l)
19	707489X	KIT - Differential Bearing	47	30263	Shaft - Differential (t/l)
20	-(2)	KIT - Diff Brg Adj Shim	48	45720	Bolt - Axle Shaft (Full Float)
21	-(1)	Case - Differential (std)	49	46426	Bolt - Axle Shaft (Semi Float)
22	40638	Bolt - Drive Gear (qty 12)	50	701151X	KIT - Diff Plate & Disc (t/l) (inc items 51, 52, 53, 54)
23	-(2)	Pinion - Differential (std)	51	-(4)	Disc - Differential (t/l)
24	-(2)	Gear - Differential (std)	52	-(4)	Plate - Diff Pressure (t/l)
25	-(2)	Thrustwasher - Diff Pinion (std)	53	40835	Clip - Diff Clutch Retainer (t/l)
26	34729	Thrustwasher - Diff Gear (std)	54	-(4)	Plate - Diff Dished (t/l)

(1) See "Bill of Material Table" on next page

(2) See "Variable Parts Table" within this section

(3) Contact Vehicle Manufacturer

(4) Not Sold Separately

(9) See "Differential Bearing Adjustment Shim Table" at the back of this catalog.

Ford 60 /248 Rear Bill of Material Table

Axle			Axle Kits				Shaft & Joint Assy.	
Bill of Material	Diff. Type	Ratio	Ring Gear & Pinion Kit ⁽⁷⁾	Differential			Right Hand Shaft Assy.	Left Hand Shaft Assy.
				Case Assy. Kit ⁽⁸⁾	Case Kit	Inner Parts Kit		
1998 E-250 Van SRW - Semi Float w/ABS								
606019-1	Standard	4.10	708125-5	707211-1X	707212-1X	706844X	76002-1X	76002-2X
606019-2	Trac Lok	4.10	708125-5	2011160	707428X	707435X	76002-1X	76002-2X
1998 E-350 Van SRW - Semi Float w/ABS								
606018-1	Standard	3.55	708125-6	707211-1X	707212-1X	706844X	76002-1X	76002-2X
606018-2	Trac Lok	3.55	708125-6	2011160	707428X	707435X	76002-1X	76002-2X
606018-3	Standard	3.73	708125-4	707211-1X	707212-1X	706844X	76002-1X	76002-2X
606018-4	Trac Lok	3.73	708125-4	2011160	707428X	707435X	76002-1X	76002-2X
1998 1/2-99 E-250 Van SRW - Semi Float w/ABS								
606102-1	Trac Lok	4.09	708125-5	707427X	707428X	707435X	75344-1X	75344-2X
606161-1	Standard	3.73	708125-4	707211-1X	707212-1X	706844X	75344-1X	75344-2X
606161-2	Trac Lok	3.73	708125-4	707427X	707428X	707435X	75344-1X	75344-2X
606161-3	Standard	4.09	708125-5	707211-1X	707212-1X	706844X	75344-1X	75344-2X
606161-4	Trac Lok	4.09	708125-5	707427X	707428X	707435X	75344-1X	75344-2X
1998 1/2-99 E-350 Van SRW - Full Float w/ABS								
606162-1	Standard	3.55	708125-6	707387-1X	707214-1X	707389X	43811-16	43811-17
606162-2	Trac Lok	3.55	708125-6	707432X	707433X	707434X	43811-16	43811-17
606162-3	Standard	3.73	708125-4	707387-1X	707214-1X	707389X	43811-16	43811-17
606162-4	Trac Lok	3.73	708125-4	707432X	707433X	707434X	43811-16	43811-17
606162-5	Standard	4.10	708125-5	707387-1X	707214-1X	707389X	43811-16	43811-17
606162-6	Trac Lok	4.10	707430-3X	707432X	707433X	707434X	43811-16	43811-17
1999 E-250 Van SRW - Semi Float w/ABS								
606022-1	Standard	3.73	708125-4	707211-1X	707212-1X	706844X	75344-1X	75344-2X
606022-2	Trac Lok	3.73	708125-4	707427X	707428X	707435X	75344-1X	75344-2X
606022-3	Standard	4.09	708125-5	707211-1X	707212-1X	706844X	75344-1X	75344-2X
606022-4	Trac Lok	4.09	708125-5	707427X	707428X	707435X	75344-1X	75344-2X
1999 E-350 Van SRW - Full Float w/ABS								
606109-1	Standard	3.55	708125-6	707387-1X	707214-1X	707389X	43811-16	43811-17
606109-2	Trac Lok	3.55	708125-6	707432X	707433X	707434X	43811-16	43811-17
606109-3	Standard	3.73	708125-4	707387-1X	707214-1X	707389X	43811-16	43811-17
606109-4	Trac Lok	3.73	708125-4	707432X	707433X	707434X	43811-16	43811-17
606109-5	Standard	4.10	708125-5	707387-1X	707214-1X	707389X	43811-16	43811-17
606109-6	Trac Lok	4.10	708125-5	707432X	707433X	707434X	43811-16	43811-17
1999-99 1/2 E-250 Chassis SRW								
606199-1	Trac Lok	4.09	708125-5	707427X	707428X	707435X	75344-1X	75344-2X
1999-99 1/2 E-350 Van SRW - Full Float w/ABS								
606190-1	Standard	3.55	708125-6	707387-1X	707214-1X	707389X	43811-16	43811-17
606190-2	Trac Lok	3.55	708125-6	707432X	707433X	707434X	43811-16	43811-17
606190-3	Standard	3.73	708125-4	707387-1X	707214-1X	707389X	43811-16	43811-17
606190-4	Trac Lok	3.73	708125-4	707432X	707433X	707434X	43811-16	43811-17
606190-5	Standard	4.10	708125-5	707387-1X	707214-1X	707389X	43811-16	43811-17
606190-6	Trac Lok	4.10	708125-5	707432X	707433X	707434X	43811-16	43811-17
606209-1	Standard	3.55	708125-6	707387-1X	707214-1X	707389X	43811-16	43811-17
606209-2	Trac Lok	3.55	708125-6	707432X	707433X	707434X	43811-16	43811-17
606209-3	Standard	3.73	708125-4	707387-1X	707214-1X	707389X	43811-16	43811-17
606209-4	Trac Lok	3.73	708125-4	707432X	707433X	707434X	43811-16	43811-17
606209-5	Standard	4.10	708125-5	707387-1X	707214-1X	707389X	43811-16	43811-17
606209-6	Trac Lok	4.10	708125-5	707432X	707433X	707434X	43811-16	43811-17

(7) See Ring Gear & Pinion Kits in XGI Catalog for ratio & tooth combinations.

(8) See Differential Case Assy Kits in XGI Catalog for spline data & ratios.

Ford 60 /248 Rear Bill of Material Table



Axle			Axle Kits				Shaft & Joint Assy.	
Bill of Material	Diff. Type	Ratio	Ring Gear & Pinion Kit ⁽⁷⁾	Differential			Right Hand Shaft Assy.	Left Hand Shaft Assy.
				Case Assy. Kit ⁽⁸⁾	Case Kit	Inner Parts Kit		
1999 1/2 E-250 Van SRW - Semi Float w/ABS								
606188-1	Standard	3.73	708125-4	707211-1X	707212-1X	706844X	75344-1X	75344-2X
606188-2	Trac Lok	3.73	708125-4	707427X	707428X	707435X	75344-1X	75344-2X
606188-3	Standard	4.09	708125-5	707211-1X	707212-1X	706844X	75344-1X	75344-2X
606188-4	Trac Lok	4.09	708125-5	707427X	707428X	707435X	75344-1X	75344-2X
606192-1	Standard	3.73	708125-4	707211-1X	707212-1X	706844X	75344-1X	75344-2X
606192-2	Trac Lok	3.73	708125-4	707427X	707428X	707435X	75344-1X	75344-2X
1999 1/2-2000 E-350 Van SRW - Full Float w/ABS								
606232-1	Standard	3.55	708125-6	707387-1X	707214-1X	707389X	43811-16	43811-17
606232-2	Trac Lok	3.55	708125-6	707432X	707433X	707434X	43811-16	43811-17
606232-3	Standard	3.73	708125-4	707387-1X	707214-1X	707389X	43811-16	43811-17
606232-4	Trac Lok	3.73	708125-4	707432X	707433X	707434X	43811-16	43811-17
606232-5	Standard	4.10	708125-5	707387-1X	707214-1X	707389X	43811-16	43811-17
606232-6	Trac Lok	4.10	708125-5	707432X	707433X	707434X	43811-16	43811-17
2000 E-250 Van SRW - Semi Float w/ABS								
606313-1	Trac Lok	4.09	708125-5	707427X	707428X	707435X	75344-1X	75344-2X
2000 E-350 SRW - Semi Float - HD w/ABS								
606511-1	Standard	3.55	708125-6	707211-1X	707212-1X	706844X	76002-1X	76002-2X
606511-2	Trac Lok	3.55	708125-6	2011160	707428X	707435X	76002-1X	76002-2X
606511-3	Standard	3.73	708125-4	707211-1X	707212-1X	706844X	76002-1X	76002-2X
606511-4	Trac Lok	3.73	708125-4	2011260	707428X	707435X	76002-1X	76002-2X
606511-5	Standard	4.10	708125-4	707211-1X	707212-1X	706844X	76002-1X	76002-2X
606511-6	Trac Lok	4.10	708125-4	2011260	707428X	707435X	76002-1X	76002-2X
2000-00 1/2 E-250 Van SRW - Semi Float w/ABS								
606306-1	Standard	3.73	708125-4	707211-1X	707212-1X	706844X	75344-1X	75344-2X
606306-2	Trac Lok	3.73	708125-4	707427X	707428X	707435X	75344-1X	75344-2X
606306-3	Standard	4.09	708125-5	707211-1X	707212-1X	706844X	75344-1X	75344-2X
606306-4	Trac Lok	4.09	708125-5	707427X	707428X	707435X	75344-1X	75344-2X
606307-1	Standard	3.73	708125-4	707211-1X	707212-1X	706844X	75344-1X	75344-2X
606307-2	Trac Lok	3.73	708125-4	707427X	707428X	707435X	75344-1X	75344-2X
2000 1/2 E-350 Van SRW - Full Float w/ABS								
606314-1	Standard	3.55	708125-6	707387-1X	707214-1X	707389X	43811-16	43811-17
606314-2	Trac Lok	3.55	708125-6	707432X	707433X	707434X	43811-16	43811-17
606314-3	Standard	3.73	708125-4	707387-1X	707214-1X	707389X	43811-16	43811-17
606314-4	Trac Lok	3.73	708125-4	707432X	707433X	707434X	43811-16	43811-17
606314-5	Standard	4.10	708125-5	707387-1X	707214-1X	707389X	43811-16	43811-17
606314-6	Trac Lok	4.10	708125-5	707432X	707433X	707434X	43811-16	43811-17
606522-1	Standard	3.55	708125-6	707387-1X	707214-1X	707389X	43811-16	43811-17
606522-2	Trac Lok	3.55	708125-6	707432X	707433X	707434X	43811-16	43811-17
606522-3	Standard	3.73	708125-4	707387-1X	707214-1X	707389X	43811-16	43811-17
606522-4	Trac Lok	3.73	708125-4	707432X	707433X	707434X	43811-16	43811-17
606522-5	Standard	4.10	708125-5	707387-1X	707214-1X	707389X	43811-16	43811-17
606522-6	Trac Lok	4.10	708125-5	707432X	707433X	707434X	43811-16	43811-17

(7) See Ring Gear & Pinion Kits in XGI Catalog for ratio & tooth combinations.

(8) See Differential Case Assy Kits in XGI Catalog for spline data & ratios.

Ford 60 /248 Rear Bill of Material Table

Axle			Axle Kits				Shaft & Joint Assy.	
Bill of Material	Diff. Type	Ratio	Ring Gear & Pinion Kit ⁽⁷⁾	Differential			Right Hand Shaft Assy.	Left Hand Shaft Assy.
				Case Assy. Kit ⁽⁸⁾	Case Kit	Inner Parts Kit		
2001 E-250 Van SRW - Semi Float w/ABS								
606601-1	Standard	3.73	708125-1	707211-1X	707212-1X	706844X	75344-1X	75344-2X
606601-2	Trac Lok	3.73	708125-1	707427X	707428X	707435X	75344-1X	75344-2X
606601-3	Standard	4.10	708125-5	707211-1X	707212-1X	706844X	75344-1X	75344-2X
606601-4	Trac Lok	4.10	708125-5	707427X	707428X	707435X	75344-1X	75344-2X
606602-1	Standard	3.73	708125-1	707211-1X	707212-1X	706844X	75344-1X	75344-2X
606602-2	Trac Lok	3.73	708125-1	707427X	707428X	707435X	75344-1X	75344-2X
606603-1	Trac Lok	4.09	705125-5	707127X	707428X	707435X	75344-1X	75344-2X
2001 E-350 SRW - Semi Float - HD w/ABS								
606023-1	Standard	3.55	708125-6	707211-1X	707212-1X	706844X	76002-1X	76002-2X
606023-2	Trac Lok	3.55	708125-6	707427X	707428X	707435X	76002-1X	76002-2X
606023-3	Standard	3.73	708125-4	707211-1X	707212-1X	706844X	76002-1X	76002-2X
606023-4	Trac Lok	3.73	708125-4	707427X	707428X	707435X	76002-1X	76002-2X
606023-5	Standard	4.10	708125-5	707211-1X	707212-1X	706844X	76002-1X	76002-2X
606023-6	Trac Lok	4.10	708125-5	707427X	707428X	707435X	76002-1X	76002-2X
2001 E-350 Van SRW - Full Float w/ABS								
606604-1	Standard	3.55	708125-6	707387-1X	707214-1X	707389X	43811-16	43811-17
606604-2	Trac Lok	3.55	708125-6	707432X	707433X	707434X	43811-16	43811-17
606604-3	Standard	3.73	708125-4	707387-1X	707214-1X	707389X	43811-16	43811-17
606604-4	Trac Lok	3.73	708125-4	707432X	707433X	707434X	43811-16	43811-17
606604-5	Standard	4.10	708125-5	707387-1X	707214-1X	707389X	43811-16	43811-17
606604-6	Trac Lok	4.10	708125-5	707432X	707433X	707434X	43811-16	43811-17
2002 E-250 SRW - Semi Float								
606513-1	Standard	3.73	708125-4	707211-1X	707212-1X	706844X	75344-1X	75344-2X
606513-2	Trac Lok	3.73	708125-4	2011160	707428X	707435X	75344-1X	75344-2X
2002 E-250 Van SRW - Semi Float w/ABS								
606752-1	Standard	3.73	708125-4	707211-1X	707212-1X	706844X	75344-1X	75344-2X
606752-2	Trac Lok	3.73	708125-4	707427X	707428X	707435X	75344-1X	75344-2X
606752-3	Standard	4.10	708125-5	707211-1X	707212-1X	706844X	75344-1X	75344-2X
606752-4	Trac Lok	4.10	708125-5	707427X	707428X	707435X	75344-1X	75344-2X
606797-1	Trac Lok	4.10	708125-5	707427X	707428X	707435X	75344-1X	75344-2X
606836-1	Standard	3.73	708125-4	707211-1X	707212-1X	706844X	75344-1X	75344-2X
606836-2	Trac Lok	3.73	708125-4	707427X	707428X	707435X	75344-1X	75344-2X
606836-3	Standard	4.10	708125-5	707211-1X	707212-1X	706844X	75344-1X	75344-2X
606836-4	Trac Lok	4.10	708125-5	707427X	707428X	707435X	75344-1X	75344-2X
606847-1	Trac Lok	4.10	708125-4	707427X	707428X	707435X	75344-1X	75344-2X
2002 E-350 SRW - Semi Float - HD w/ABS								
606845-1	Standard	3.55	708125-6	707211-1X	707212-1X	706844X	76002-1X	76002-2X
606845-2	Trac Lok	3.55	708125-6	707427X	707428X	707435X	76002-1X	76002-2X
606845-3	Standard	3.73	708125-4	707211-1X	707212-1X	706844X	76002-1X	76002-2X
606845-4	Trac Lok	3.73	708125-4	707427X	707428X	707435X	76002-1X	76002-2X
606845-5	Standard	4.10	708125-5	707211-1X	707212-1X	706844X	76002-1X	76002-2X
606845-6	Trac Lok	4.10	708125-5	707427X	707428X	707435X	76002-1X	76002-2X

(7) See Ring Gear & Pinion Kits in XGI Catalog for ratio & tooth combinations.

(8) See Differential Case Assy Kits in XGI Catalog for spline data & ratios.

Ford 60 /248 Rear Bill of Material Table



Axle			Axle Kits				Shaft & Joint Assy.	
Bill of Material	Diff. Type	Ratio	Ring Gear & Pinion Kit ⁽⁷⁾	Differential			Right Hand Shaft Assy.	Left Hand Shaft Assy.
				Case Assy. Kit ⁽⁸⁾	Case Kit	Inner Parts Kit		
2002-03 E-250 Van SRW - Semi Float w/ABS								
2001024-1	Standard	3.73	708125-4	707211-1X	707212-1X	706844X	75344-1X	75344-2X
2001024-2	Trac Lok	3.73	708125-4	707427X	707428X	707435X	75344-1X	75344-2X
2001024-3	Standard	4.10	708125-5	707211-1X	707212-1X	706844X	75344-1X	75344-2X
2001024-4	Trac Lok	4.10	708125-5	707427X	707428X	707435X	75344-1X	75344-2X
2003 E-250 Van SRW - Semi Float w/ABS								
2001025-1	Trac Lok	4.10	708125-5	707427X	707428X	707435X	75344-1X	75344-2X
2001578-1	Standard	3.73	708125-4	707211-1X	707212-1X	706844X	75344-1X	75344-2X
2001578-2	Trac Lok	3.73	708125-4	707427X	707428X	707435X	75344-1X	75344-2X
2001578-3	Standard	4.10	708125-5	707211-1X	707212-1X	706844X	75344-1X	75344-2X
2001578-4	Trac Lok	4.10	708125-5	707427X	707428X	707435X	75344-1X	75344-2X
2003 E-250/E-350 SRW - Semi Float - HD w/ABS								
2001026-1	Standard	3.55	708125-6	707211-1X	707212-1X	706844X	76002-1X	76002-2X
2001026-2	Trac Lok	3.55	708125-6	707427X	707428X	707435X	76002-1X	76002-2X
2001026-3	Standard	3.73	708125-4	707211-1X	707212-1X	706844X	76002-1X	76002-2X
2001026-4	Trac Lok	3.73	708125-4	707427X	707428X	707435X	76002-1X	76002-2X
2001026-5	Standard	4.10	708125-5	707211-1X	707212-1X	706844X	76002-1X	76002-2X
2001026-6	Trac Lok	4.10	708125-5	707427X	707428X	707435X	76002-1X	76002-2X
606926-1	Standard	4.10	708125-5	707211-1X	707212-1X	706844X	76002-1X	76002-2X
2003 E-350 SRW - Semi Float - HD w/ABS								
2001579-1	Standard	3.55	708125-6	707211-1X	707212-1X	706844X	76002-1X	76002-2X
2001579-2	Trac Lok	3.55	708125-6	707427X	707428X	707435X	76002-1X	76002-2X
2001579-3	Standard	3.73	708125-4	707211-1X	707212-1X	706844X	76002-1X	76002-2X
2001579-4	Trac Lok	3.73	708125-4	707427X	707428X	707435X	76002-1X	76002-2X
2001579-5	Standard	4.10	708125-5	707211-1X	707212-1X	706844X	76002-1X	76002-2X
2001579-6	Trac Lok	4.10	708125-5	707427X	707428X	707435X	76002-1X	76002-2X
2001579-7	Trac Lok	4.10	708125-5	707427X	707428X	707435X	76002-1X	76002-2X
2001579-8	Standard	4.10	708125-5	707211-1X	707212-1X	706844X	76002-1X	76002-2X
2003247-1	Standard	3.55	708125-6	707211-1X	707212-1X	706844X	76002-1X	76002-2X
2003247-2	Trac Lok	3.55	708125-6	707427X	707428X	707435X	76002-1X	76002-2X
2003247-3	Standard	3.73	708125-4	707211-1X	707212-1X	706844X	76002-1X	76002-2X
2003247-4	Trac Lok	3.73	708125-4	707427X	707428X	707435X	76002-1X	76002-2X
2003247-5	Standard	4.10	708125-5	707211-1X	707212-1X	706844X	76002-1X	76002-2X
2003247-6	Trac Lok	4.10	708125-5	707427X	707428X	707435X	76002-1X	76002-2X
2004 E-250 Van SRW - Semi Float w/ABS								
2003246-1	Standard	3.73	708125-4	707211-1X	707212-1X	706844X	75344-1X	75344-2X
2003246-2	Trac Lok	3.73	708125-4	707427X	707428X	707435X	75344-1X	75344-2X
2003246-3	Standard	4.10	708125-5	707211-1X	707212-1X	706844X	75344-1X	75344-2X
2003246-4	Trac Lok	4.10	708125-5	707427X	707428X	707435X	75344-1X	75344-2X
2005-06 E-250 Van SRW - Semi Float w/ABS								
2002707-1	Standard	3.73	708125-4	707211-1X	707212-1X	706844X	75344-1X	75344-2X
2002707-2	Trac Lok	3.73	708125-4	707427X	707428X	707435X	75344-1X	75344-2X
2002707-3	Standard	4.10	708125-5	707211-1X	707212-1X	706844X	75344-1X	75344-2X
2002707-4	Trac Lok	4.10	708125-5	707427X	707428X	707435X	75344-1X	75344-2X
2002707-5	Standard	3.55	708125-6	707211-1X	707212-1X	706844X	75344-1X	75344-2X
2002707-6	Trac Lok	3.55	708125-6	707427X	707428X	707435X	75344-1X	75344-2X

(7) See Ring Gear & Pinion Kits in XGI Catalog for ratio & tooth combinations.

(8) See Differential Case Assy Kits in XGI Catalog for spline data & ratios.

Ford 60 /248 Rear Bill of Material Table

Axle			Axle Kits				Shaft & Joint Assy.	
Bill of Material	Diff. Type	Ratio	Ring Gear & Pinion Kit ⁽⁷⁾	Differential			Right Hand Shaft Assy.	Left Hand Shaft Assy.
				Case Assy. Kit ⁽⁸⁾	Case Kit	Inner Parts Kit		
2005-06 E-350 Van SRW - Full Float w/ABS								
2002329-1	Standard	3.55	708125-6	707387-1X	707214-1X	707389X	43811-16	43811-17
2002329-2	Trac Lok	3.55	708125-6	707432X	707433X	707434X	43811-16	43811-17
2002329-3	Standard	3.73	708125-4	707387-1X	707214-1X	707389X	43811-16	43811-17
2002329-4	Trac Lok	3.73	708125-4	707432X	707433X	707434X	43811-16	43811-17
2002329-5	Standard	4.10	708125-5	707387-1X	707214-1X	707389X	43811-16	43811-17
2002329-6	Trac Lok	4.10	708125-5	707432X	707433X	707434X	43811-16	43811-17
2004457-1	Standard	3.55	708125-6	707387-1X	707214-1X	707389X	43811-16	43811-17
2004457-2	Standard	3.73	708125-4	707387-1X	707214-1X	707389X	43811-16	43811-17
2004457-3	Standard	4.10	708125-5	707387-1X	707214-1X	707389X	43811-16	43811-17
607026-1	Standard	3.55	708125-6	707387-1X	707214-1X	707389X	43811-16	43811-17
607026-2	Standard	3.73	708125-4	707387-1X	707214-1X	707389X	43811-16	43811-17
607026-3	Standard	4.10	708125-5	707387-1X	707214-1X	707389X	43811-16	43811-17
2005-07 E-350 SRW - Semi Float - HD w/ABS								
2002708-1	Standard	3.55	708125-6	707211-1X	707212-1X	706844X	76002-1X	76002-2X
2002708-2	Trac Lok	3.55	708125-6	707427X	707428X	707435X	76002-1X	76002-2X
2002708-3	Standard	3.73	708125-4	707211-1X	707212-1X	706844X	76002-1X	76002-2X
2002708-4	Trac Lok	3.73	708125-4	707427X	707428X	707435X	76002-1X	76002-2X
2002708-5	Standard	4.10	708125-5	707211-1X	707212-1X	706844X	76002-1X	76002-2X
2002708-6	Trac Lok	4.10	708125-5	707427X	707428X	707435X	76002-1X	76002-2X
2006 E-350 Van SRW - Full Float w/ABS								
2002709-1	Standard	3.55	708125-6	707387-1X	707214-1X	707389X	43811-16	43811-17
2002709-2	Trac Lok	3.55	708125-6	707432X	707433X	707434X	43811-16	43811-17
2002709-3	Standard	3.73	708125-4	707387-1X	707214-1X	707389X	43811-16	43811-17
2002709-4	Trac Lok	3.73	708125-4	707432X	707433X	707434X	43811-16	43811-17
2002709-5	Standard	4.10	708125-5	707387-1X	707214-1X	707389X	43811-16	43811-17
2002709-6	Trac Lok	4.10	708125-5	707432X	707433X	707434X	43811-16	43811-17
2006-07 E-350 SRW - Semi Float - HD w/ABS								
2007807-1	Standard	3.73	708125-4	707211-1X	707212-1X	706844X	76002-1X	76002-2X
2006-08 E-350 SRW - Semi Float - HD w/ABS								
2004153-1	Standard	3.55	708125-6	707211-1X	707212-1X	706844X	76002-1X	76002-2X
2004153-3	Standard	3.73	708125-4	707211-1X	707212-1X	706844X	76002-1X	76002-2X
2004153-4	Trac Lok	3.73	708125-4	707427X	707428X	707435X	76002-1X	76002-2X
2004153-5	Standard	4.10	708125-5	707211-1X	707212-1X	706844X	76002-1X	76002-2X
2004153-6	Trac Lok	4.10	708125-5	707427X	707428X	707435X	76002-1X	76002-2X
2007 E-250 Van SRW - Semi Float w/ABS								
2007234-1	Standard	3.73	708125-4	707211-1X	707212-1X	706844X	75344-1X	75344-2X
2007234-2	Trac Lok	3.73	708125-4	707427X	707428X	707435X	75344-1X	75344-2X
2007234-3	Standard	4.10	708125-5	707211-1X	707212-1X	706844X	75344-1X	75344-2X
2007234-4	Trac Lok	4.10	708125-5	707427X	707428X	707435X	75344-1X	75344-2X
2007234-5	Standard	3.55	708125-6	707211-1X	707212-1X	706844X	75344-1X	75344-2X
2007 E-350 Van SRW - Full Float w/ABS								
2009200-1	Standard	3.73	708125-4	707387-1X	707214-1X	707389X	43811-16	43811-17
2008 E-150/250 Van - SRW - Semi-Float w/ABS								
2010449-1	Standard	3.73	708125-4	707211-1X	707212-1X	706844X	75344-1X	75344-2X
2010449-2	Trac Lok	3.73	708125-4	707427X	707428X	707435X	75344-1X	75344-2X

(7) See Ring Gear & Pinion Kits in XGI Catalog for ratio & tooth combinations.

(8) See Differential Case Assy Kits in XGI Catalog for spline data & ratios.

Ford 60 /248 Rear Bill of Material Table



Axle			Axle Kits				Shaft & Joint Assy.	
Bill of Material	Diff. Type	Ratio	Ring Gear & Pinion Kit ⁽⁷⁾	Differential			Right Hand Shaft Assy.	Left Hand Shaft Assy.
				Case Assy. Kit ⁽⁸⁾	Case Kit	Inner Parts Kit		
2008 E-250 Van SRW - Semi Float w/ABS								
2004681-1	Standard	3.55	708125-6	707211-1X	707212-1X	706844X	75344-1X	75344-2X
2004681-2	Trac Lok	3.55	708125-6	707427X	707428X	707435X	75344-1X	75344-2X
2004681-3	Standard	3.73	708125-4	707211-1X	707212-1X	706844X	75344-1X	75344-2X
2004681-4	Trac Lok	3.73	708125-4	707427X	707428X	707435X	75344-1X	75344-2X
2004681-5	Standard	4.10	708125-5	707211-1X	707212-1X	706844X	75344-1X	75344-2X
2004681-6	Trac Lok	4.10	708125-5	707427X	707428X	707435X	75344-1X	75344-2X
2009 E-150/250 Van - SRW - Semi-Float w/ABS								
2007742-1	Standard	3.73	708125-4	707211-1X	707212-1X	706844X	2007075-1	2007075-2
2007742-2	Standard	4.10	708125-5	707211-1X	707212-1X	706844X	2007075-1	2007075-2
2010413-1	Standard	3.73	708125-4	707211-1X	707212-1X	706844X	2007075-1	2007075-2
2011809-1	Standard	3.73	708125-4	707211-1X	707212-1X	706844X	75344-1X	75344-2X
2011809-2	Trac Lok	3.73	708125-4	707427X	707428X	707435X	75344-1X	75344-2X
2011819-1	Standard	3.73	708125-4	707211-1X	707212-1X	706844X	75344-1X	75344-2X
2011819-2	Trac Lok	3.73	708125-4	707427X	707428X	707435X	75344-1X	75344-2X
2011819-3	Standard	4.10	708125-5	707211-1X	707212-1X	706844X	75344-1X	75344-2X
2011819-4	Trac Lok	4.10	708125-5	707427X	707428X	707435X	75344-1X	75344-2X
2009 E-250/E-350 SRW - Semi Float - HD w/ABS								
2011820-1	Standard	3.55	708125-6	707211-1X	707212-1X	706844X	76002-1X	76002-2X
2011820-2	Standard	3.73	708125-4	707211-1X	707212-1X	706844X	76002-1X	76002-2X
2011820-3	Trac Lok	3.73	708125-4	707427X	707428X	707435X	76002-1X	76002-2X
2011820-4	Standard	4.10	708125-5	707211-1X	707212-1X	706844X	76002-1X	76002-2X
2011820-5	Trac Lok	4.10	708125-5	707427X	707428X	707435X	76002-1X	76002-2X
2009 E-350 SRW - Semi Float - HD w/ABS								
2005330-1	Standard	3.73	708125-4	707211-1X	707212-1X	706844X	2007075-1	2007075-2
2005330-2	Standard	4.10	708125-5	707211-1X	707212-1X	706844X	2007075-1	2007075-2
2010 E-150/250 Van - SRW - Semi-Float w/ABS								
2013723-1	Standard	3.73	708125-4	707211-1X	707212-1X	706844X	2007075-1	2007075-2
2013723-2	Standard	4.10	708125-5	707211-1X	707212-1X	706844X	2007075-1	2007075-2
2013724-1	Standard	3.73	708125-4	707211-1X	707212-1X	706844X	2007075-1	2007075-2
2013725-1	Standard	3.73	708125-4	707211-1X	707212-1X	706844X	75344-1X	75344-2X
2013725-2	Trac Lok	3.73	708125-4	707427X	707428X	707435X	75344-1X	75344-2X
2013726-1	Standard	3.73	708125-4	707211-1X	707212-1X	706844X	75344-1X	75344-2X
2013726-2	Trac Lok	3.73	708125-4	707427X	707428X	707435X	75344-1X	75344-2X
2013726-3	Standard	4.10	708125-5	707211-1X	707212-1X	706844X	75344-1X	75344-2X
2013726-4	Trac Lok	4.10	708125-5	707427X	707428X	707435X	75344-1X	75344-2X
2010 E-350 SRW - Semi Float - HD w/ABS								
2013714-1	Standard	3.73	708125-4	707211-1X	707212-1X	706844X	2007075-1	2007075-2
2013714-2	Standard	4.10	708125-5	707211-1X	707212-1X	706844X	2007075-1	2007075-2
2011 E-150/250 Van - SRW - Semi-Float w/ABS								
2014979-1	Standard	3.73	708125-4	707211-1X	707212-1X	706844X	2007075-1	2007075-2
2014979-2	Standard	4.10	708125-5	707211-1X	707212-1X	706844X	2007075-1	2007075-2
2014980-1	Standard	3.73	708125-4	707211-1X	707212-1X	706844X	2007075-1	2007075-2
2011 E-350 SRW - Semi Float - HD w/ABS								
2014981-1	Standard	3.73	708125-4	707211-1X	707212-1X	706844X	2007075-1	2007075-2
2014981-2	Standard	4.10	708125-5	707211-1X	707212-1X	706844X	2007075-1	2007075-2

(7) See Ring Gear & Pinion Kits in XGI Catalog for ratio & tooth combinations.

(8) See Differential Case Assy Kits in XGI Catalog for spline data & ratios.

Ford 60 /248 Rear Variable Parts Listing

Kits & Parts - Use With All Applications							
Description & Item Number (Refer to "Exploded View" at the front of this section)			Bills of Material				
			2001024	2001025	2001026	2001578	2001579
1	PKG - Differential & Pinion Shim	-	707426X	707426X	707426X	707426X	707426X
2	Seal - Pinion Oil	8	50637	50637	50637	50637	50637
3	Companion Flange Assy	9	84678	84678	84678	84678	84678
4	Slinger	10	45799	45799	45799	45799	45799
5	Pinion Nut	12	30271	30271	30271	30271	30271
6	KIT - Carrier Cover	-	2014220	708190-1	707217-1X	2014220	707217-1X
7	Carrier Cover	13	2006504-1	42799-1	42799-2	2006504-1	42799-2
8	Plug - Carrier Cover	15	2001762	43181	43181	2001762	43181
9	KIT - Diff Brg Adj Shim	20	707425X	707425X	707425X	707425X	707425X
10	Pinion - Differential (std)	23	55654	-	55654	55654	55654
11	Gear - Differential (std)	24	55649	-	55649	55649	55649
12	Thrustwasher - Diff Pinion (std)	25	54630	34730	54630	54630	54630
13	Tone Ring (ABS only)	29	42928	42928	42928	42928	42928
14	Lock - Differential Shaft	30	40131-1	40131-1	40131-1	40131-1	40131-1
15	Seal - Hub (Full Float)	33	47507	47507	47507	47507	47507
16	Gear - Differential (t/l)	45	55652	55652	55649	55652	55652
17	Pinion - Differential (t/l)	46	55655	55655	55654	55655	55655
			2002329	2002707	2002708	2002709	2003246
1	PKG - Differential & Pinion Shim	-	707431X	707426X	707426X	707431X	707426X
2	Seal - Pinion Oil	8	50637	50637	50637	50637	50637
3	Companion Flange Assy	9	2010948	2005154	2005154	2010948	84678
4	Slinger	10	2010947	2005064	2005064	2010947	45799
5	Pinion Nut	12	30271	30271	30271	2001153	30271
6	KIT - Carrier Cover	-	707217-1X	2014220	2014220	707217-1X	2014220
7	Carrier Cover	13	42799-2	2006504-1	2006504-1	42799-2	2006504-1
8	Plug - Carrier Cover	15	43181	2001762	2001762	43181	2001762
9	KIT - Diff Brg Adj Shim	20	701144X	707425X	707425X	701144X	707425X
10	Pinion - Differential (std)	23	55655	55654	55654	55655	55654
11	Gear - Differential (std)	24	2001446	55649	55649	2001446	55649
12	Thrustwasher - Diff Pinion (std)	25	54630	54630	54630	54630	54630
13	Tone Ring (ABS only)	29	42928	42928	42928	42928	42928
14	Lock - Differential Shaft	30	44810	40131-1	40131-1	44810	40131-1
15	Seal - Hub (Full Float)	33	47507	47507	47507	47507	47507
16	Gear - Differential (t/l)	45	45745	55652	55652	45745	55652
17	Pinion - Differential (t/l)	46	34367	55655	55655	34367	55655
			2003247	2004153	2004457	2004681	2005330
1	PKG - Differential & Pinion Shim	-	707426X	707426X	707431X	707426X	707426X
2	Seal - Pinion Oil	8	50637	50637	50637	50637	50637
3	Companion Flange Assy	9	84678	2005154	2005154	2005154	2010948
4	Slinger	10	45799	2005064	2005064	2005064	2010947
5	Pinion Nut	12	30271	30271	30271	30271	30271
6	KIT - Carrier Cover	-	707217-1X	2014220	2014220	2014220	2014220
7	Carrier Cover	13	42799-2	2006504-1	2006504-1	2006504-1	2006504-1
8	Plug - Carrier Cover	15	43181	2001762	2001762	2001762	2001762
9	KIT - Diff Brg Adj Shim	20	707425X	707425X	701144X	707425X	707425X
10	Pinion - Differential (std)	23	55654	55654	55655	55654	55654
11	Gear - Differential (std)	24	55649	55649	2001446	55649	55649
12	Thrustwasher - Diff Pinion (std)	25	34730	54630	54630	54630	54630
13	Tone Ring (ABS only)	29	42928	-	-	-	2013071
14	Lock - Differential Shaft	30	40131-1	40131-1	44810	40131-1	40131-1
15	Seal - Hub (Full Float)	33	47507	47507	47507	47507	47507
16	Gear - Differential (t/l)	45	55652	55652	-	55652	-
17	Pinion - Differential (t/l)	46	55655	55655	-	55655	-

Ford 60 /248 Rear Variable Parts Listing



Kits & Parts - Use With All Applications							
Description & Item Number (Refer to "Exploded View" at the front of this section)		Bills of Material					
		2007234	2007742	2007807	2009200	2010413	
1	PKG - Differential & Pinion Shim	-	707426X	707426X	707426X	707431X	707426X
2	Seal - Pinion Oil	8	50637	50637	50637	50637	50637
3	Companion Flange Assy	9	2005154	2010948	2005154	2005154	2005154
4	Slinger	10	2005064	2010947	2005064	2005064	2005064
5	Pinion Nut	12	30271	30271	30271	30271	30271
6	KIT - Carrier Cover	-	2014220	2014220	2014220	2014220	2014220
7	Carrier Cover	13	2006504-1	2006504-1	2006504-1	2006504-1	2006504-1
8	Plug - Carrier Cover	15	2001762	2001762	2001762	2001762	2001762
9	KIT - Diff Brg Adj Shim	20	707425X	707425X	707425X	701144X	707425X
10	Pinion - Differential (std)	23	55654	55654	55654	55654	55654
11	Gear - Differential (std)	24	55649	55649	55649	2001446	55649
12	Thrustwasher - Diff Pinion (std)	25	54630	54630	54630	54630	54630
13	Tone Ring (ABS only)	29	42928	2013071	42928	-	2013071
14	Lock - Differential Shaft	30	40131-1	40131-1	40131-1	44810	40131-1
15	Seal - Hub (Full Float)	33	47507	47507	47507	2001552	47507
16	Gear - Differential (t/l)	45	55652	-	-	-	-
17	Pinion - Differential (t/l)	46	55655	-	-	-	-
			2010449	2011809	2011819	2011820	2013714
1	PKG - Differential & Pinion Shim	-	707426X	707426X	707426X	707426X	707426X
2	Seal - Pinion Oil	8	50637	50637	50637	50637	50637
3	Companion Flange Assy	9	2005154	2010948	2010948	2010948	2010948
4	Slinger	10	2005064	2010947	2010947	2010947	2010947
5	Pinion Nut	12	30271	30271	30271	30271	30271
6	KIT - Carrier Cover	-	2014220	2014220	2014220	2014220	2014220
7	Carrier Cover	13	2006504-1	2006504-1	2006504-1	2006504-1	2006504-1
8	Plug - Carrier Cover	15	2001762	2001762	2001762	2001762	2001762
9	KIT - Diff Brg Adj Shim	20	707425X	707425X	707425X	707425X	707425X
10	Pinion - Differential (std)	23	55654	55654	55654	55654	55654
11	Gear - Differential (std)	24	55649	55649	55649	55649	55649
12	Thrustwasher - Diff Pinion (std)	25	54630	54630	54630	54630	54630
13	Tone Ring (ABS only)	29	-	-	-	-	2013071
14	Lock - Differential Shaft	30	40131-1	40131-1	40131-1	40131-1	40131-1
15	Seal - Hub (Full Float)	33	47507	47507	47507	47507	47507
16	Gear - Differential (t/l)	45	55652	55652	55652	55649	-
17	Pinion - Differential (t/l)	46	55655	55655	55655	55654	-
			2013723	2013724	2013725	2013726	2014979
1	PKG - Differential & Pinion Shim	-	707426X	707426X	707426X	707426X	707426X
2	Seal - Pinion Oil	8	50637	50637	50637	50637	50637
3	Companion Flange Assy	9	2010948	2010948	2010948	2010948	2010948
4	Slinger	10	2010947	2010947	2010947	2010947	2010947
5	Pinion Nut	12	30271	30271	30271	30271	30271
6	KIT - Carrier Cover	-	2014220	2014220	2014220	2014220	2014220
7	Carrier Cover	13	2006504-1	2006504-1	2006504-1	2006504-1	2006504-1
8	Plug - Carrier Cover	15	2001762	2001762	2001762	2001762	2001762
9	KIT - Diff Brg Adj Shim	20	707425X	707425X	707425X	707425X	707425X
10	Pinion - Differential (std)	23	55654	55654	55654	55654	55654
11	Gear - Differential (std)	24	55649	55649	55649	55649	55649
12	Thrustwasher - Diff Pinion (std)	25	54630	54630	54630	54630	54630
13	Tone Ring (ABS only)	29	2013071	2013071	-	-	2013071
14	Lock - Differential Shaft	30	40131-1	40131-1	40131-1	40131-1	40131-1
15	Seal - Hub (Full Float)	33	47507	47507	47507	47507	47507
16	Gear - Differential (t/l)	45	-	-	55652	55652	-
17	Pinion - Differential (t/l)	46	-	-	55655	55655	-

Ford 60 /248 Rear Variable Parts Listing

Kits & Parts - Use With All Applications							
Description & Item Number (Refer to "Exploded View" at the front of this section)			Bills of Material				
			2014980	2014981	606018	606019	606022
1	PKG - Differential & Pinion Shim	-	707426X	707426X	707426X	707426X	707426X
2	Seal - Pinion Oil	8	50637	50637	42449	42449	42449
3	Companion Flange Assy	9	2010948	2010948	2010948	2010948	84678
4	Slinger	10	2010947	2010947	2010947	2010947	45799
5	Pinion Nut	12	30271	30271	30271	30271	30271
6	KIT - Carrier Cover	-	2014220	2014220	707217-1X	707217-1X	707217-1X
7	Carrier Cover	13	2006504-1	2006504-1	42799-2	42799-2	42799-2
8	Plug - Carrier Cover	15	2001762	2001762	43181	43181	43181
9	KIT - Diff Brg Adj Shim	20	707425X	707425X	707425X	707425X	707425X
10	Pinion - Differential (std)	23	55654	55654	55654	55654	55654
11	Gear - Differential (std)	24	55649	55649	55649	55649	55679
12	Thrustwasher - Diff Pinion (std)	25	54630	54630	54630	54630	34730
13	Tone Ring (ABS only)	29	2013071	2013071	42928	42928	42928
14	Lock - Differential Shaft	30	40131-1	40131-1	40131-1	40131-1	40131-1
15	Seal - Hub (Full Float)	33	47507	47507	47507	-	47507
16	Gear - Differential (t/l)	45	-	-	55652	55652	55652
17	Pinion - Differential (t/l)	46	-	-	55655	55655	55655
			606023	606102	606109	606161	606162
1	PKG - Differential & Pinion Shim	-	707426X	707426X	707431X	707426X	707431X
2	Seal - Pinion Oil	8	50637	42449	42449	42449	42449
3	Companion Flange Assy	9	84678	84678	84678	84678	84678
4	Slinger	10	45799	45799	45799	45799	45799
5	Pinion Nut	12	30271	30271	30271	30271	30271
6	KIT - Carrier Cover	-	707217-1X	707217-1X	707217-1X	707217-1X	707217-1X
7	Carrier Cover	13	42799-2	42799-2	42799-2	42799-2	42799-2
8	Plug - Carrier Cover	15	43181	43181	43181	43181	43181
9	KIT - Diff Brg Adj Shim	20	707425X	707425X	701144X	707425X	701144X
10	Pinion - Differential (std)	23	55654	-	55655	55654	55655
11	Gear - Differential (std)	24	55649	-	2001446	55649	2001446
12	Thrustwasher - Diff Pinion (std)	25	34730	34730	34730	34730	34730
13	Tone Ring (ABS only)	29	42928	42928	42928	42928	42928
14	Lock - Differential Shaft	30	40131-1	40131-1	44810	40131-1	44810
15	Seal - Hub (Full Float)	33	47507	47507	47507	47507	47507
16	Gear - Differential (t/l)	45	55652	55652	45745	55652	45745
17	Pinion - Differential (t/l)	46	55655	55655	34367	55655	34367
			606188	606190	606192	606199	606209
1	PKG - Differential & Pinion Shim	-	707426X	707431X	707426X	707426X	707431X
2	Seal - Pinion Oil	8	42449	42449	42449	42449	42449
3	Companion Flange Assy	9	84678	84678	84678	84678	84678
4	Slinger	10	45799	45799	45799	45799	45799
5	Pinion Nut	12	30271	30271	30271	30271	30271
6	KIT - Carrier Cover	-	707217-1X	707217-1X	707217-1X	707217-1X	707217-1X
7	Carrier Cover	13	42799-2	42799-2	42799-2	42799-2	42799-2
8	Plug - Carrier Cover	15	43181	43181	43181	43181	43181
9	KIT - Diff Brg Adj Shim	20	707425X	701144X	707425X	707425X	701144X
10	Pinion - Differential (std)	23	55654	55655	55654	-	55655
11	Gear - Differential (std)	24	55655	2001446	55649	-	2001446
12	Thrustwasher - Diff Pinion (std)	25	34730	34730	34730	34730	34730
13	Tone Ring (ABS only)	29	42928	42928	42928	42928	42928
14	Lock - Differential Shaft	30	40131-1	44810	40131-1	40131-1	44810
15	Seal - Hub (Full Float)	33	47507	47507	47507	47507	47507
16	Gear - Differential (t/l)	45	55652	45745	55652	55652	45745
17	Pinion - Differential (t/l)	46	55655	34367	55655	55655	34367

Ford 60 /248 Rear Variable Parts Listing

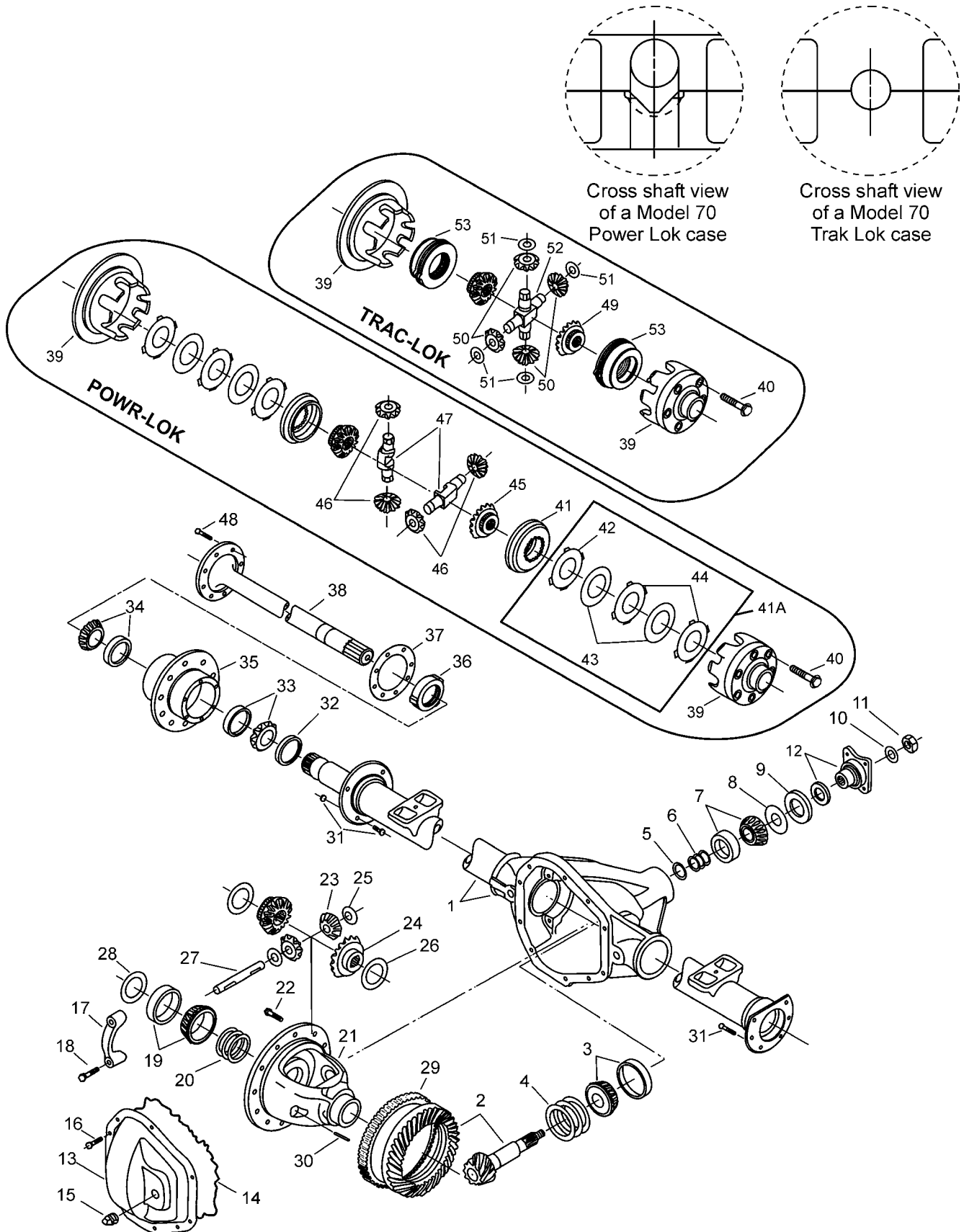
Kits & Parts - Use With All Applications							
Description & Item Number (Refer to "Exploded View" at the front of this section)			Bills of Material				
			606232	606306	606307	606313	606314
1	PKG - Differential & Pinion Shim	-	707431X	707426X	707426X	707426X	707431X
2	Seal - Pinion Oil	8	42449	42449	42449	50637	42449
3	Companion Flange Assy	9	84678	84678	84678	84678	84678
4	Slinger	10	45799	45799	45799	45799	45799
5	Pinion Nut	12	30271	30271	30271	30271	30271
6	KIT - Carrier Cover	-	707217-1X	707217-1X	707217-1X	707217-1X	707217-1X
7	Carrier Cover	13	42799-2	42799-2	42799-2	42799-2	42799-2
8	Plug - Carrier Cover	15	43181	43181	43181	43181	43181
9	KIT - Diff Brg Adj Shim	20	701144X	707425X	707425X	707425X	701144X
10	Pinion - Differential (std)	23	55655	55654	55654	-	55655
11	Gear - Differential (std)	24	2001146	55649	55649	-	2001446
12	Thrustwasher - Diff Pinion (std)	25	34730	34730	34730	34730	34730
13	Tone Ring (ABS only)	29	42928	42928	42928	42928	42928
14	Lock - Differential Shaft	30	44810	40131-1	40131-1	40131-1	44810
15	Seal - Hub (Full Float)	33	47507	47507	47507	47507	47507
16	Gear - Differential (t/l)	45	45745	55652	55652	55652	45745
17	Pinion - Differential (t/l)	46	34367	55655	55655	55655	34367
			606511	606513	606522	606601	606602
1	PKG - Differential & Pinion Shim	-	707426X	707426X	707431X	707426X	707426X
2	Seal - Pinion Oil	8	50637	50637	42449	50637	50637
3	Companion Flange Assy	9	2010948	2010948	84678	84678	84678
4	Slinger	10	2010947	2010947	45799	45799	45799
5	Pinion Nut	12	30271	30271	30271	30271	30271
6	KIT - Carrier Cover	-	707217-1X	707217-1X	707217-1X	707217-1X	707217-1X
7	Carrier Cover	13	42799-2	42799-2	42799-2	42799-2	42799-2
8	Plug - Carrier Cover	15	43181	43181	43181	43181	43181
9	KIT - Diff Brg Adj Shim	20	707425X	707425X	701144X	707425X	707425X
10	Pinion - Differential (std)	23	55654	55654	55655	55654	55654
11	Gear - Differential (std)	24	55649	55649	2001446	55649	55649
12	Thrustwasher - Diff Pinion (std)	25	54630	54630	34730	34730	34730
13	Tone Ring (ABS only)	29	42928	42928	42928	42928	42928
14	Lock - Differential Shaft	30	40131-1	40131-1	44810	40131-1	40131-1
15	Seal - Hub (Full Float)	33	47507	47507	47507	47507	47507
16	Gear - Differential (t/l)	45	55652	55652	45745	55652	55652
17	Pinion - Differential (t/l)	46	55655	55655	34367	55655	55655
			606603	606604	606752	606797	606836
1	PKG - Differential & Pinion Shim	-	707426X	707431X	707426X	707426X	707426X
2	Seal - Pinion Oil	8	50637	50637	50637	50637	50637
3	Companion Flange Assy	9	84678	84678	84678	84678	84678
4	Slinger	10	45799	45799	45799	45799	45799
5	Pinion Nut	12	30271	30271	30271	30271	30271
6	KIT - Carrier Cover	-	707217-1X	707217-1X	707217-1X	707217-1X	708190-1
7	Carrier Cover	13	42799-2	42799-2	42799-2	42799-2	42799-1
8	Plug - Carrier Cover	15	43181	43181	43181	43181	43181
9	KIT - Diff Brg Adj Shim	20	707425X	701144X	707425X	707425X	707425X
10	Pinion - Differential (std)	23	-	55655	55654	-	55654
11	Gear - Differential (std)	24	-	2001446	55649	-	55649
12	Thrustwasher - Diff Pinion (std)	25	34730	34730	34730	34730	34730
13	Tone Ring (ABS only)	29	42928	42928	42928	42928	42928
14	Lock - Differential Shaft	30	40131-1	44810	40131-1	40131-1	40131-1
15	Seal - Hub (Full Float)	33	47507	47507	47507	47507	47507
16	Gear - Differential (t/l)	45	55652	45745	55652	55652	55652
17	Pinion - Differential (t/l)	46	55655	34367	55655	55655	55655

Ford 60 /248 Rear Variable Parts Listing

Kits & Parts - Use With All Applications						
Description & Item Number (Refer to "Exploded View" at the front of this section)		Bills of Material				
		606845	606847	606926	607026	
1	PKG - Differential & Pinion Shim	-	707426X	707426X	707426X	707431X
2	Seal - Pinion Oil	8	50637	50637	50637	50637
3	Companion Flange Assy	9	2005154	84678	2010948	2005154
4	Slinger	10	2005064	45799	2010947	2005064
5	Pinion Nut	12	30271	30271	30271	30271
6	KIT - Carrier Cover	-	707217-1X	708190-1	707217-1X	2014220
7	Carrier Cover	13	42799-2	42799-1	42799-2	2006504-1
8	Plug - Carrier Cover	15	43181	43181	43181	2001762
9	KIT - Diff Brg Adj Shim	20	707425X	707425X	707425X	701144X
10	Pinion - Differential (std)	23	55654	-	55654	55655
11	Gear - Differential (std)	24	55649	-	55649	2001446
12	Thrustwasher - Diff Pinion (std)	25	54630	34730	54630	54630
13	Tone Ring (ABS only)	29	42928	42928	42928	-
14	Lock - Differential Shaft	30	40131-1	40131-1	40131-1	44810
15	Seal - Hub (Full Float)	33	47507	47507	47507	2001552
16	Gear - Differential (t/l)	45	55652	55652	55652	-
17	Pinion - Differential (t/l)	46	55655	55655	55655	-

Model Super 70 /273 Rear Axles for E-450

Ford Super 70 /273 Rear Exploded View



Ford Super 70 /273 Rear Parts Listing

ITEM NO.	PART NUMBER	DESCRIPTION	ITEM NO.	PART NUMBER	DESCRIPTION
1	-(3)	Housing - Axle Service	26	34729	Thrustwasher - Diff Gear (std)
2	-(1)	Drive Pinion & Gear Kit	27	46640	Shaft - Differential (std)
3	706060X	Inner Pinion Bearing Kit	28	44848	Spacer - Outboard Diff Brg Cone
4	-	Inner Pinion Adj Shims (inc 4,6,11,20)	29	-	Tone Ring (ABS)
5	46176	Spacer - Flat	30	47024	Lock - Diff Shaft
6	-(4)	Outer Pinion Adj Shims	31	-(3)	Nut/Bolt - Brake Mounting
	708078	KIT - Diff & Pinion Adj Shim (inc 4,6,11,20)	32	47507	Seal - Hub
7	706045X	Outer Pinion Bearing Kit	33	-(3)	Inner Wheel Bearing Kit
8	42737	Thrustwasher - Bearing	34	-(3)	Outer Wheel Bearing Kit
9	50637	Seal - Pinion	35	-(3)	Hub - Wheel
10	30275	Washer - Pinion Nut	36	43075	Spindle Nut / Wheel Brg. Ret.
11	2001153	Nut - Pinion	37	39697	Gasket
12	2005155	Companion Flange Assembly	38	-(1)	Shaft - Axle Flange Drive
	708082-1	KIT - Carrier Cover (inc 13,15,16)	39	-(1)	Case - Differential (p/l,t/l)
13	47717-3	Cover - Carrier	40	41610-1	Bolt - Diff Case (p/l,t/l)
14	38615	Gasket/Sealant - Carrier Cover	41	42522	Ring - Diff Gear (p/l)
15	38637	Plug - Carrier Cover	41A	707075X	KIT - Diff Plate & Disc (p/l) (inc 42, 43, 44)
16	47508-1	Bolt - Carrier Cover (qty 10)	42	-(4)	Plate - Differential(p/l)
17	-	Cap - Differential Bearing	43	-(4)	Disc - Differential(dished-p/l)
18	48632-1	Bolt - Differential Bearing Cap	44	-(4)	Plate - Differential(p/l)
19	706070X	Differential Bearing Kit	45	43914	Gear - Differential (p/l)
20	701144X	KIT - Inboard Diff Brg Cup Shim	46	31040	Pinion - Differential (p/l)
21	-(1)	Case - Differential (std)	47	31041	Shaft - Differential (p/l)
22	40638	Bolt - Drive Gear (qty 12)	48	45720	Screw - Flange Head
23	35080	Pinion - Differential (std)	49	52139	Gear - Differential (t/l)
24	35079	Gear - Differential (std)	50	52141	Pinion - Differential (t/l)
25	35082	Thrustwasher - Diff Pinion (std)	51	47800	Thrustwasher - Pinion (t/l)
			52	47802	Shaft - Differential (t/l)
			53	2003819	KIT - Diff Plate & Disc (t/l)

- (1) See "Bill of Material Table" on next page
(2) See "Variable Parts Table" within this section
(3) Contact Vehicle Manufacturer
(4) Not Sold Separately
(5) See Camber/Casting Bushing Table in the back of this catalog

Ford Super 70 /273 Rear Bill of Material Table

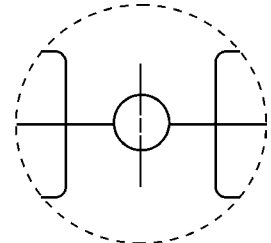
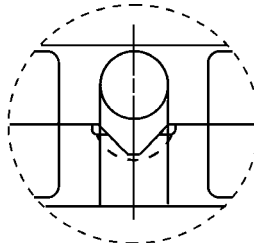
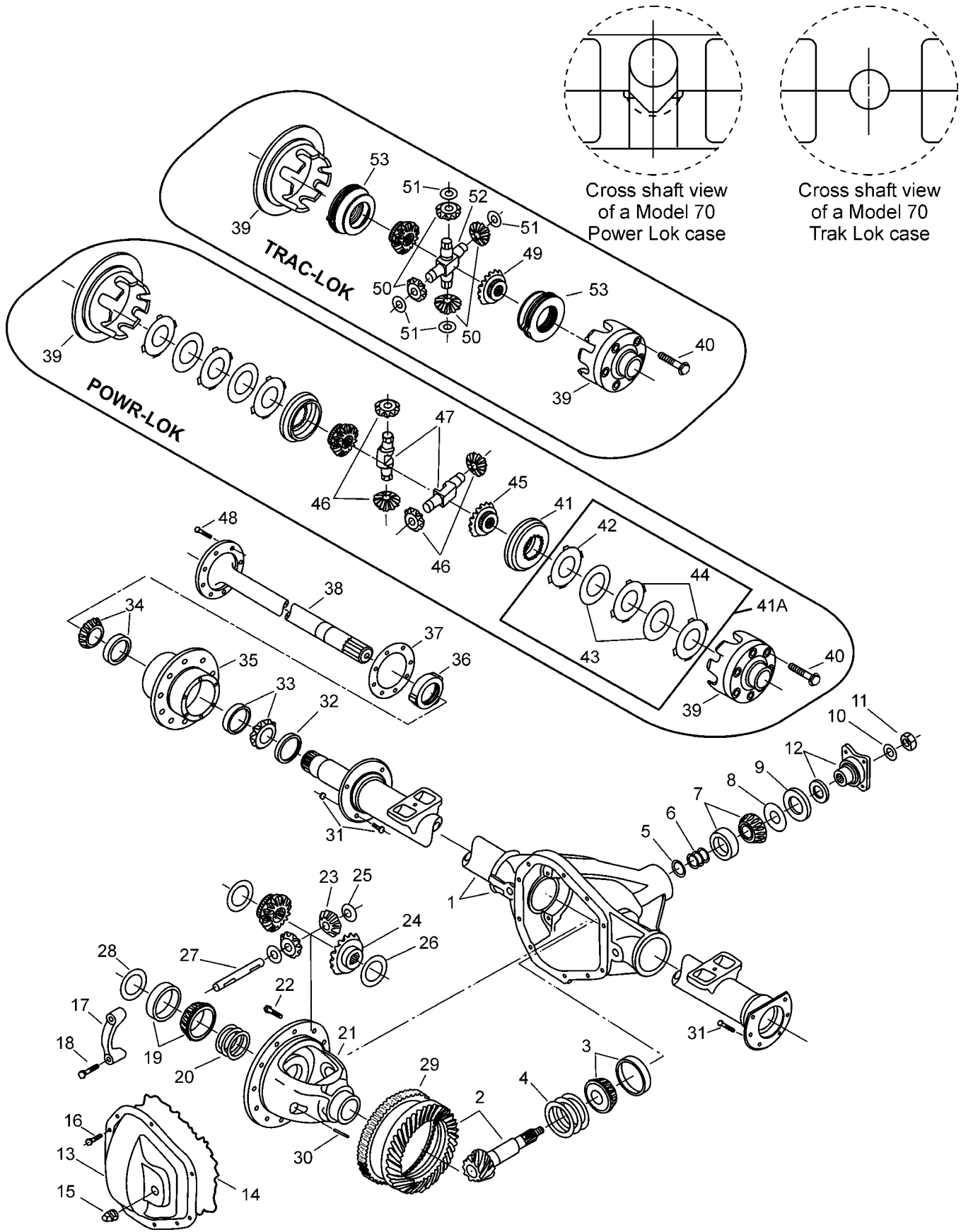
Axle			Axle Kits				Shaft & Joint Assy.	
Bill of Material	Diff. Type	Ratio	Ring Gear & Pinion Kit ⁽⁷⁾	Differential			Right Hand Shaft Assy.	Left Hand Shaft Assy.
				Case Assy. Kit ⁽⁸⁾	Case Kit	Inner Parts Kit		
2006-07 E-450 DRW								
2007515-1	Trac Lok	4.56	708127-2	2005658	708081-1	2003857	46930-3	46930-4
2008-09 E-450 DRW								
2009724-1	Standard	4.56	708127-2	708075-1	708076-1	708077	46930-3	46930-4
2009 E-450 DRW								
2011821-1	Standard	4.10	84055-5	708075-1	708076-1	708077	46930-3	46930-4
2011821-2	Trac Lok	4.10	84055-5	2005658	-	2003857	46930-3	46930-4
2011821-3	Standard	4.56	708127-2	708075-1	708076-1	708077	46930-3	46930-4
2011821-4	Trac Lok	4.56	708127-2	2005658	-	2003857	46930-3	46930-4
2013087-1	Standard	4.56	708127-2	708075-1	708076-1	708077	46930-3	46930-4
2013727-3	Standard	4.56	708127-2	708075-1	708076-1	708077	46930-3	46930-4
2013727-4	Trac Lok	4.56	708127-2	2005658	-	2003857	46930-3	46930-4
2010 E-450 DRW								
2013805-1	Standard	4.56	708127-2	708075-1	708076-1	708077	46930-3	46930-4

(7) See Ring Gear & Pinion Kits in XGI Catalog for ratio & tooth combinations.

(8) See Differential Case Assy Kits in XGI Catalog for spline data & ratios.

**Model 70 /267
Rear Axles for
E-350 & E-450**

Ford 70 /267 Rear Exploded View



Ford 70 /267 Rear Parts Listing

ITEM NO.	PART NUMBER	DESCRIPTION	ITEM NO.	PART NUMBER	DESCRIPTION
1	-(3)	Housing - Axle Service	26	34729	Thrustwasher - Diff Gear (std)
2	-(1)	Drive Pinion & Gear Kit	27	46640	Shaft - Differential (std)
3	-(2)	Inner Pinion Bearing Kit	28	-(2)	Spacer - Diff Bearing
4	-	Inner Pinion Adj Shims (inc 4,6,11,20)	29	-(2)	Tone Ring (ABS)
5	46176	Spacer - Flat	30	47024	Lock - Diff Shaft
6	-(4)	Outer Pinion Adj Shims	31	-(3)	Nut/Bolt - Brake Mounting
	708078	KIT - Diff & Pinion Adj Shim (inc 4,6,11,20)	32	47507	Seal - Hub
7	706045X	Outer Pinion Bearing Kit	33	706179X	Inner Wheel Bearing Kit
8	42737	Thrustwasher - Bearing	34	706074X	Outer Wheel Bearing Kit
9	-(2)	Seal - Pinion	35	-(3)	Hub - Wheel
10	30275	Washer - Pinion Nut	36	43075	Spindle Nut / Wheel Brg. Ret.
11	-(2)	Nut - Pinion	37	39697	Gasket
12	-(2)	Companion Flange Assembly	38	-(1)	Shaft - Axle Flange Drive
	-(2)	KIT - Carrier Cover (inc 13,14,15,16)	39	-(1)	Case - Differential (p/l,t/l)
13	-(2)	Cover - Carrier	40	41610-1	Bolt - Diff Case (p/l,t/l)
14	38615	Gasket/Sealant - Carrier Cover	41	42522	Ring - Diff Gear (p/l)
15	-(2)	Plug - Carrier Cover	41A	707075X	KIT - Diff Plate & Disc (p/l) (inc 42, 43, 44)
16	-(2)	Bolt - Carrier Cover (qty 10)	42	-(4)	Plate - Differential(p/l)
17	-(3)	Cap - Differential Bearing	43	-(4)	Disc - Differential(dished-p/l)
18	48632-1	Bolt - Differential Bearing Cap	44	-(4)	Plate - Differential(p/l)
19	-(2)	Differential Bearing Kit	45	43914	Gear - Differential (p/l)
20	701144X	KIT - Diff Brg Adj Shim	46	31040	Pinion - Differential (p/l)
21	-(1)	Case - Differential (std)	47	31041	Shaft - Differential (p/l)
22	40638	Bolt - Drive Gear (qty 12)	48	45720	Screw - Flange Head
23	35080	Pinion - Differential (std)	49	-(2)	Gear - Differential (t/l)
24	-(2)	Gear - Differential (std)	50	52141	Pinion - Differential (t/l)
25	35082	Thrustwasher - Diff Pinion (std)	51	47800	Thrustwasher - Pinion (t/l)
			52	47802	Shaft - Differential (t/l)
			53	2003819	KIT - Diff Plate & Disc (t/l)

- (1) See "Bill of Material Table" on next page
(2) See "Variable Parts Table" within this section
(3) Contact Vehicle Manufacturer
(4) Not Sold Separately
(5) See Camber/Casting Bushing Table in the back of this catalog

Ford 70 /267 Rear Bill of Material Table

Axle			Axle Kits				Shaft & Joint Assy.	
Bill of Material	Diff. Type	Ratio	Ring Gear & Pinion Kit ⁽⁷⁾	Differential			Right Hand Shaft Assy.	Left Hand Shaft Assy.
				Case Assy. Kit ⁽⁸⁾	Case Kit	Inner Parts Kit		
1998 1/2-99 E-350 Cutaway SRW or Chassis DRW Option								
606158-1	Standard	4.10	708126-3	707276X	707216X	707252X	43811-4	43811-7
606158-2	Powr Lok	4.10	708126-3	707277-1X	707146-1X	707254X	43811-4	43811-7
1999 E-350 Cutaway SRW or Chassis DRW Option								
606026-1	Standard	4.10	708126-3	707276-1X	707216-1X	707252X	43811-4	43811-7
606026-2	Powr Lok	4.10	708126-3	707277-1X	707146-1X	707254X	43811-4	43811-7
1999-2000 1/2 E-350 Chassis - DRW								
606145-1	Standard	4.10	707482-1X	707483X	707484X	706058X	36113-27	36113-28
606145-2	Standard	4.56	707482-2X	707483X	707484X	706058X	36113-27	36113-28
1999 1/2 E-350 Cutaway SRW or Chassis DRW Option								
606189-1	Standard	4.10	708126-3	707276-1X	707216-1X	707252X	43811-4	43811-7
606189-2	Powr Lok	4.10	708126-3	707277-1X	707146-1X	707254X	43811-4	43811-7
2000 E-350 Cutaway SRW or Chassis DRW Option								
606231-1	Standard	4.10	708126-3	707276-1X	707216-1X	707252X	43811-4	43811-7
606231-2	Powr Lok	4.10	708126-3	707277-1X	707146-1X	707254X	43811-4	43811-7
606320-1	Standard	4.10	708126-3	707276-1X	707216-1X	707252X	43811-4	43811-7
606320-2	Powr Lok	4.10	708126-3	707277-1X	707146-1X	707254X	43811-4	43811-7
2000 E-450 Super Duty DRW w/ABS								
606207-1	Standard	4.10	708074-1	708075-1	708076-1	708077	46930-3	46930-4
606207-3	Standard	4.56	708074-5	708075-1	708076-1	708077	46930-3	46930-4
606207-5	Standard	4.10	708074-1	708075-1	708076-1	708077	46930-3	46930-4
606207-7	Standard	4.56	708074-5	708075-1	708076-1	708077	46930-3	46930-4
2000 1/2 E-350 Chassis HD DRW w/ABS								
606319-1	Standard	4.10	707482-1X	707483X	707484X	706058X	36113-27	36113-28
606319-2	Standard	4.56	707482-2X	707483X	707484X	706058X	36113-27	36113-28
2000 1/2 E-350 Cutaway SRW or Chassis DRW Option								
606523-1	Standard	4.10	708126-3	707276-1X	707216-1X	707252X	43811-4	43811-7
606523-2	Powr Lok	4.10	708126-3	707277-1X	707146-1X	707254X	43811-4	43811-7
606527-1	Standard	4.10	708126-3	707276-1X	707216-1X	707252X	43811-4	43811-7
606527-2	Powr Lok	4.10	708126-3	707277-1X	707146-1X	707254X	43811-4	43811-7
2001 E-350 Chassis - DRW w/ABS								
606605-1	Standard	4.10	708126-3	707276-1X	707216-1X	707252X	43811-4	43811-7
606605-2	Powr Lok	4.10	708126-3	707277-1X	707146-1X	707254X	43811-4	43811-7
2001 E-350 Cutaway SRW or Chassis DRW Option								
606741-1	Standard	4.10	708126-3	707276-1X	707216-1X	707252X	43811-4	43811-7
2001 E-350 DSO								
606592-1	Standard	4.10	84055-5	708075-1	708076-1	708077	36113-27	36113-28
606592-2	Standard	4.56	708127-2	708075-1	708076-1	708077	36113-27	36113-28
2001 E-450 Super Duty DRW w/ABS								
606606-1	Standard	4.10	84055-5	708075-1	708076-1	708077	46930-3	46930-4
606606-2	Trac Lok	4.10	84055-5	2005658	-	2003857	46930-3	46930-4
606606-3	Standard	4.56	708127-2	708075-1	708076-1	708077	46930-3	46930-4
606606-4	Trac Lok	4.56	708127-2	2005658	-	2003857	46930-3	46930-4
2002 E-350 Cutaway SRW or Chassis DRW Option								
606759-1	Standard	4.10	708126-3	707276-1X	707216-1X	707252X	43811-4	43811-7
606759-2	Powr Lok	4.10	708126-3	707277-1X	707146-1X	707254X	43811-4	43811-7
606867-1	Standard	4.10	708126-3	707276-1X	707216-1X	707252X	43811-4	43811-7

(7) See Ring Gear & Pinion Kits in XGI Catalog for ratio & tooth combinations.

(8) See Differential Case Assy Kits in XGI Catalog for spline data & ratios.

Ford 70 /267 Rear Bill of Material Table



Axle			Axle Kits				Shaft & Joint Assy.	
Bill of Material	Diff. Type	Ratio	Ring Gear & Pinion Kit ⁽⁷⁾	Differential			Right Hand Shaft Assy.	Left Hand Shaft Assy.
				Case Assy. Kit ⁽⁸⁾	Case Kit	Inner Parts Kit		
2002 E-350 DRW - Full Float								
606756-1	Standard	4.10	708126-3	707276-1X	707216-1X	707252X	43811-4	43811-7
606756-2	Powr Lok	4.10	708126-3	707277-1X	707146-1X	707254X	43811-4	43811-7
2002 E-450 DRW								
606803-1	Standard	4.10	84055-5	708075-1	708076-1	708077	46930-3	46930-4
606803-2	Trac Lok	4.10	84055-5	2005658	-	2003857	46930-3	46930-4
606803-3	Standard	4.56	708127-2	708075-1	708076-1	708077	46930-3	46930-4
606803-4	Trac Lok	4.56	708127-2	2005658	-	2003857	46930-3	46930-4
607024-1	Standard	4.10	84055-5	708075-1	708076-1	708077	46930-3	46930-4
607024-2	Trac Lok	4.10	84055-5	2005658	-	2003857	46930-3	46930-4
607024-3	Standard	4.56	708127-2	708075-1	708076-1	708077	46930-3	46930-4
607024-4	Trac Lok	4.56	708127-2	2005658	-	2003857	46930-3	46930-4
2002 E-450 Super Duty DRW w/ABS								
606540-1	Standard	4.10	84055-5	708075-1	708076-1	708077	46930-3	46930-4
606540-2	Trac Lok	4.10	84055-5	2005658	-	2003857	46930-3	46930-4
606540-3	Standard	4.56	708127-2	708075-1	84057-5	708077	46930-3	46930-4
606540-4	Trac Lok	4.56	708127-2	2005658	-	2003857	46930-3	46930-4
2003 E-350 Cutaway SRW or Chassis DRW Option								
2001027-1	Standard	4.10	708126-3	707276-1X	707216-1X	707252X	43811-4	43811-7
2001027-2	Powr Lok	4.10	708126-3	707277-1X	707146-1X	707254X	43811-4	43811-7
2001028-1	Standard	4.10	708126-3	707276-1X	707216-1X	707252X	43811-4	43811-7
2001580-1	Standard	4.10	708126-3	707276-1X	707216-1X	707252X	43811-4	43811-7
2001580-2	Powr Lok	4.10	708126-3	707277-1X	707146-1X	707254X	43811-4	43811-7
2003 E-350 DRW - Full Float								
2001029-1	Standard	4.10	708126-3	707276-1X	707216-1X	707252X	43811-4	43811-7
2001029-2	Powr Lok	4.10	708126-3	707277-1X	707146-1X	707254X	43811-4	43811-7
2001581-1	Standard	4.10	708126-3	707276-1X	707216-1X	707252X	43811-4	43811-7
2001581-2	Powr Lok	4.10	708126-3	707277-1X	707146-1X	707254X	43811-4	43811-7
606925-1	Standard	4.10	708126-3	707276-1X	707216-1X	707252X	43811-4	43811-7
2003 E-350 DSO								
2001030-1	Standard	4.10	84055-5	708075-1	708076-1	708077	36113-27	36113-28
2001582-1	Standard	4.10	84055-5	708075-1	708076-1	708077	36113-27	36113-28
2003250-1	Standard	4.10	84055-5	708075-1	708076-1	708077	36113-27	36113-28
2003 E-450 DRW								
606975-1	Standard	4.10	84055-5	708075-1	708076-1	708077	46930-3	46930-4
606975-2	Trac Lok	4.10	84055-5	2005658	-	2003857	46930-3	46930-4
606975-3	Standard	4.56	708127-2	708075-1	708076-1	708077	46930-3	46930-4
606975-4	Trac Lok	4.56	708127-2	2005658	-	2003857	46930-3	46930-4
2005 E-350 Cutaway SRW or Chassis DRW Option								
2003248-1	Standard	4.10	708126-3	707276-1X	707216-1X	707252X	43811-4	43811-7
2003248-2	Powr Lok	4.10	708126-3	707277-1X	707146-1X	707254X	43811-4	43811-7
2005 E-350 DRW - Full Float								
2003249-1	Standard	4.10	708126-3	707276-1X	707216-1X	707252X	43811-4	43811-7
2003249-2	Powr Lok	4.10	708126-3	707277-1X	707146-1X	707254X	43811-4	43811-7
2003986-1	Trac Lok	4.56	708127-2	2005658	-	2003857	46930-3	46930-4

(7) See Ring Gear & Pinion Kits in XGI Catalog for ratio & tooth combinations.

(8) See Differential Case Assy Kits in XGI Catalog for spline data & ratios.

Ford 70 /267 Rear Bill of Material Table

Axle			Axle Kits				Shaft & Joint Assy.	
Bill of Material	Diff. Type	Ratio	Ring Gear & Pinion Kit ⁽⁷⁾	Differential			Right Hand Shaft Assy.	Left Hand Shaft Assy.
				Case Assy. Kit ⁽⁸⁾	Case Kit	Inner Parts Kit		
2006 E-350 DRW - Full Float								
2002711-1	Standard	4.10	708126-3	707276-1X	707216-1X	707252X	43811-4	43811-7
2002711-2	Powr Lok	4.10	708126-3	707277-1X	707146-1X	707254X	43811-4	43811-7
2002711-3	Trac Lok	4.10	708126-3	2005750	-	-	43811-4	43811-4
2006 E-350 SRW - Full Float								
2002710-1	Standard	4.10	708126-3	707276-1X	707216-1X	707252X	43811-4	43811-7
2002710-2	Powr Lok	4.10	708126-3	707277-1X	707146-1X	707254X	43811-4	43811-7
2002710-3	Trac Lok	4.10	708126-3	2005750	-	-	43811-4	43811-7
2006 E-450 DRW								
2004813-1	Standard	4.56	708127-2	708075-1	708076-1	708077	46930-3	46930-4
2006 E-450 Super Duty DRW w/ABS								
2002045-1	Standard	4.10	84055-5	708075-1	708076-1	708077	46930-3	46930-4
2002045-2	Trac Lok	4.10	84055-5	2005658	-	2003857	46930-3	46930-4
2002045-3	Standard	4.56	708127-2	708075-1	708076-1	708077	46930-3	46930-4
2002045-4	Trac Lok	4.56	708127-2	2005658	-	2003857	46930-3	46930-4
2006-07 E-450 DRW								
2002713-1	Standard	4.10	84055-5	708075-1	708076-1	708077	46930-3	46930-4
2002713-2	Trac Lok	4.10	84055-5	2005658	-	2003857	46930-3	46930-4
2002713-3	Standard	4.56	708127-2	708075-1	708076-1	708077	46930-3	46930-4
2006-08 E-350 DSO								
2002712-1	Standard	4.10	84055-5	708075-1	708076-1	708077	36113-27	36113-28
2007 E-350 DRW - Full Float								
2008693-1	Standard	4.10	708126-3	707276-1X	707216-1X	707252X	43811-4	43811-7
2007 E-450 DRW								
2004329-1	Standard	4.10	84055-1	708075-1	708076-1	708077	46930-3	46930-4
2004329-2	Trac Lok	4.10	84055-5	2005658	-	2003857	46930-3	46930-4
2004329-3	Standard	4.56	708127-2	708075-1	708076-1	708077	46930-3	46930-4
2004329-4	Trac Lok	4.56	708127-2	2005658	-	2003857	46930-3	46930-4
2005921-1	Standard	4.10	84055-5	708075-1	708076-1	708077	46930-3	46930-4
2008 E-350 DRW - Full Float								
2004199-1	Standard	4.10	708126-3	707276-1X	707216-1X	707252X	43811-21	43811-22
2004199-2	Trac Lok	4.10	708126-3	2005750	-	-	43811-21	43811-22
2009732-1	Standard	4.10	708126-3	707276-1X	707216-1X	707252X	43811-21	43811-22
2011463-1	Standard	4.10	708126-3	707276-1X	707216-1X	707252X	43811-21	43811-22
2008 E-350 SRW - Full Float								
2004198-1	Standard	4.10	708126-3	707276-1X	707216-1X	707252X	43811-4	43811-7
2004198-2	Trac Lok	4.10	708126-3	2005750	-	-	43811-4	43811-7
2008-09 E-350 SRW - Full Float								
2011146-1	Standard	4.10	708126-3	707276-1X	707216-1X	707252X	43811-4	43811-7
2011146-2	Trac Lok	4.10	708126-3	2005750	-	-	43811-4	43811-7
2009 E-350 DRW - Full Float								
2011147-1	Standard	4.10	708126-3	707276-1X	707216-1X	707252X	43811-21	43811-22
2011147-2	Trac Lok	4.10	708126-3	2005750	-	-	43811-21	43811-22

(7) See Ring Gear & Pinion Kits in XGI Catalog for ratio & tooth combinations.

(8) See Differential Case Assy Kits in XGI Catalog for spline data & ratios.

Ford 70 /267 Rear Bill of Material Table



Axle			Axle Kits				Shaft & Joint Assy.	
Bill of Material	Diff. Type	Ratio	Ring Gear & Pinion Kit ⁽⁷⁾	Differential			Right Hand Shaft Assy.	Left Hand Shaft Assy.
				Case Assy. Kit ⁽⁸⁾	Case Kit	Inner Parts Kit		
2010 E-350 DRW Chassis - Full Float								
2013129-1	Standard	3.73	708126-4	707276-1X	707216-1X	707252X	43811-21	43811-22
2013129-2	Trac Lok	3.73	708126-4	2005750	-	-	43811-21	43811-22
2013129-3	Standard	4.10	708126-3	707276-1X	707216-1X	707252X	43811-21	43811-22
2013129-4	Trac Lok	4.10	708126-3	2005750	-	-	43811-21	43811-22
2010 E-350 SRW - Full Float								
2013128-1	Standard	3.73	708126-4	707276-1X	707216-1X	707252X	43811-4	43811-7
2013128-2	Trac Lok	3.73	708126-4	2005750	-	-	43811-4	43811-7
2013128-3	Standard	4.10	708126-3	707276-1X	707216-1X	707252X	43811-4	43811-7
2013128-4	Trac Lok	4.10	708126-3	2005750	-	-	43811-4	43811-7

(7) See Ring Gear & Pinion Kits in XGI Catalog for ratio & tooth combinations.

(8) See Differential Case Assy Kits in XGI Catalog for spline data & ratios.

Ford 70 /267 Rear Variable Parts Listing

Kits & Parts - Use With All Applications							
Description & Item Number (Refer to "Exploded View" at the front of this section)			Bills of Material				
			2001027	2001028	2001029	2001030	2001580
1	Inner Pinion Bearing Kit	3	706861X	706861X	706861X	706060X	706861X
2	Seal - Pinion	9	50637	50637	50637	50637	50637
3	Nut - Pinion	11	30271	30271	30271	2001153	30271
4	Companion Flange Assembly	12	84678	84678	84678	84678	84678
5	KIT - Carrier Cover	-	707105-1X	707105-1X	707105-1X	708082-1	707105-1X
6	Cover - Carrier	13	42815-2	42815-2	42815-2	47717-3	42815-2
7	Plug - Carrier Cover	15	43181	43181	43181	38637	43181
8	Bolt - Carrier Cover (qty 10)	16	47508-1	47508-1	47508-1	47508-1	47508-1
9	Differential Bearing Kit	19	707489X	707489X	707489X	706070X	707489X
10	Gear - Differential (std)	24	43913	43913	43913	35079	43913
11	Spacer - Diff Bearing	28	47560(9)	47560(9)	47560(9)	48849(9)	47560(9)
12	Tone Ring (ABS)	29	42929	42929	42929	42929	42929
13	Gear - Differential (t/l)	49	52139	52139	52139	-	52139
			2001581	2001582	2002045	2002710	2002711
1	Inner Pinion Bearing Kit	3	706861X	706060X	706060X	706861X	706861X
2	Seal - Pinion	9	50637	50637	50637	50637	50637
3	Nut - Pinion	11	30271	2001153	30271	30271	30271
4	Companion Flange Assembly	12	84678	84678	84682	2005154	2005154
5	KIT - Carrier Cover	-	707105-1X	708082-1	708082-1	2003190-2	2003190-2
6	Cover - Carrier	13	42815-2	47717-3	47717-3	42815-2	42815-2
7	Plug - Carrier Cover	15	43181	38637	38637	43181	43181
8	Bolt - Carrier Cover (qty 10)	16	47508-1	47508-1	47508-1	47508-1	47508-1
9	Differential Bearing Kit	19	707489X	706070X	706070X	707489X	707489X
10	Gear - Differential (std)	24	43913	35079	35079	43913	43913
11	Spacer - Diff Bearing	28	47560(9)	48849(9)	44848(9)	47560(9)	47560(9)
12	Tone Ring (ABS)	29	42929	42929	42929	42929	42929
13	Gear - Differential (t/l)	49	52139	-	52139	2003722	2003722
			2002712	2002713	2003248	2003249	2003250
1	Inner Pinion Bearing Kit	3	706060X	706060X	706861X	706861X	706060X
2	Seal - Pinion	9	50637	50637	50637	50637	50637
3	Nut - Pinion	11	2001153	2001153	30271	30271	2001153
4	Companion Flange Assembly	12	2005154	2005155	84678	84678	84678
5	KIT - Carrier Cover	-	708082-1	708082-1	707105-1X	707105-1X	708082-1
6	Cover - Carrier	13	47717-3	47717-3	42815-2	42815-2	47717-3
7	Plug - Carrier Cover	15	38637	38637	43181	43181	38637
8	Bolt - Carrier Cover (qty 10)	16	47508-1	47508-1	47508-1	47508-1	47508-1
9	Differential Bearing Kit	19	706070X	706070X	707489X	707489X	706070X
10	Gear - Differential (std)	24	35079	35079	43913	43913	35079
11	Spacer - Diff Bearing	28	48849(9)	44848(9)	47560(9)	47560(9)	48849(9)
12	Tone Ring (ABS)	29	42929	42929	42929	42929	42929
13	Gear - Differential (t/l)	49	52139	52139	52139	52139	-

(3) Contact Vehicle Manufacturer

(9) For selection thickness on shims, see "Differential Bearing Adjustment Shim Table" at the back of this catalog.

Ford 70 /267 Rear Variable Parts Listing



Kits & Parts - Use With All Applications							
Description & Item Number (Refer to "Exploded View" at the front of this section)			Bills of Material				
			2003986	2004198	2004199	2004329	2004813
1	Inner Pinion Bearing Kit	3	706060X	706861X	706861X	706060X	706060X
2	Seal - Pinion	9	50637	2011413	2011413	2011413	50637
3	Nut - Pinion	11	2001153	30271	2001153	2001153	2001153
4	Companion Flange Assembly	12	2005155	2005154	2005154	2005155	2005155
5	KIT - Carrier Cover	-	708082-1	2003190-2	707105-1X	708082-1	708082-1
6	Cover - Carrier	13	47717-3	42815-2	42815-2	47717-3	47717-3
7	Plug - Carrier Cover	15	38637	43181	43181	38637	38637
8	Bolt - Carrier Cover (qty 10)	16	47508-1	47508-1	47508-1	47508-1	47508-1
9	Differential Bearing Kit	19	706070X	707489X	707489X	706070X	706070X
10	Gear - Differential (std)	24	35079	43913	43913	35079	35079
11	Spacer - Diff Bearing	28	44848(9)	47560(9)	47560(9)	44848(9)	44848(9)
12	Tone Ring (ABS)	29	42929	-	-	42929	42929
13	Gear - Differential (t/l)	49	52139	2003722	2003722	52139	52139
			2005921	2008693	2009732	2011146	2011147
1	Inner Pinion Bearing Kit	3	706060X	706861X	706861X	706861X	706861X
2	Seal - Pinion	9	50637	50637	2011413	50637	2011413
3	Nut - Pinion	11	2001153	2001153	2001153	2001153	2001153
4	Companion Flange Assembly	12	2005155	2005154	2005154	2010948	2005154
5	KIT - Carrier Cover	-	708082-1	2003190-2	707105-1X	2003190-2	707105-1X
6	Cover - Carrier	13	47717-3	42815-2	42815-2	42815-2	42815-2
7	Plug - Carrier Cover	15	38637	2001762	43181	2001762	43181
8	Bolt - Carrier Cover (qty 10)	16	47508-1	47508-1	47508-1	47508-1	47508-1
9	Differential Bearing Kit	19	706070X	707489X	707489X	707489X	707489X
10	Gear - Differential (std)	24	35079	43913	43913	43913	43913
11	Spacer - Diff Bearing	28	44848(9)	47560(9)	47560(9)	47560(9)	47560(9)
12	Tone Ring (ABS)	29	42929	42929	-	-	-
13	Gear - Differential (t/l)	49	52139	2003722	2003722	2003722	2003722
			2011463	2013128	2013129	606026	606145
1	Inner Pinion Bearing Kit	3	706861X	706861X	706861X	706861X	706060X
2	Seal - Pinion	9	2011413	50637	50637	42449	42449
3	Nut - Pinion	11	2001153	2001153	2001153	30271	30271
4	Companion Flange Assembly	12	2005154	2010948	2010948	84678	84678
5	KIT - Carrier Cover	-	707105-1X	2003190-2	2003190-2	707105-1X	707105-1X
6	Cover - Carrier	13	42815-2	42815-2	42815-2	42815-2	42815-2
7	Plug - Carrier Cover	15	43181	2001762	2001762	43181	43181
8	Bolt - Carrier Cover (qty 10)	16	47508-1	47508-1	-	47508-1	47508-1
9	Differential Bearing Kit	19	707489X	707489X	707489X	707489X	706070X
10	Gear - Differential (std)	24	43913	43913	43913	43913	35079
11	Spacer - Diff Bearing	28	47560(9)	47560(9)	47560(9)	47560(9)	48849(9)
12	Tone Ring (ABS)	29	-	-	-	42929	42929
13	Gear - Differential (t/l)	49	2003722	2003722	2003722	52139	52139

(3) Contact Vehicle Manufacturer

(9) For selection thickness on shims, see "Differential Bearing Adjustment Shim Table" at the back of this catalog.

Ford 70 /267 Rear Variable Parts Listing

Kits & Parts - Use With All Applications							
Description & Item Number (Refer to "Exploded View" at the front of this section)			Bills of Material				
			606158	606189	606207	606231	606319
1	Inner Pinion Bearing Kit	3	706861X	706861X	706060X	706861X	706060X
2	Seal - Pinion	9	42449	42449	42449	42449	42449
3	Nut - Pinion	11	30271	30271	30271	30271	30271
4	Companion Flange Assembly	12	84678	84678	2-1-3001X	84678	84678
5	KIT - Carrier Cover	-	707105-1X	707105-1X	708082	707105-1X	707105-1X
6	Cover - Carrier	13	42815-2	42815-2	47717-3	42815-2	42815-2
7	Plug - Carrier Cover	15	43181	43181	38637	43181	43181
8	Bolt - Carrier Cover (qty 10)	16	47508-1	47508-1	34822	47508-1	47508-1
9	Differential Bearing Kit	19	707489X	707489X	706070X	707489X	706070X
10	Gear - Differential (std)	24	43913	43913	35079	43913	35079
11	Spacer - Diff Bearing	28	47560(9)	47560(9)	48849(9)	47560(9)	48849(9)
12	Tone Ring (ABS)	29	42929	42929	42929	42929	42929
13	Gear - Differential (t/l)	49	52139	52139	52139	52139	52139
			606320	606523	606527	606540	606592
1	Inner Pinion Bearing Kit	3	706861X	706861X	706861X	706060X	706060X
2	Seal - Pinion	9	42449	42449	50637	50637	50637
3	Nut - Pinion	11	30271	30271	30271	30271	30271
4	Companion Flange Assembly	12	84678	84678	84678	2-1-3001X	84678
5	KIT - Carrier Cover	-	707105-1X	707105-1X	707105-1X	708082	708082-1
6	Cover - Carrier	13	42815-2	42815-2	42815-2	47717-3	47717-3
7	Plug - Carrier Cover	15	43181	43181	43181	38637	38637
8	Bolt - Carrier Cover (qty 10)	16	47508-1	47508-1	47508-1	34822	47508-1
9	Differential Bearing Kit	19	707489X	707489X	707489X	706070X	706070X
10	Gear - Differential (std)	24	43913	43913	43913	35079	35079
11	Spacer - Diff Bearing	28	47560(9)	47560(9)	47560(9)	48849(9)	48849(9)
12	Tone Ring (ABS)	29	42929	42929	42929	42929	42929
13	Gear - Differential (t/l)	49	52139	52139	52139	52139	52139
			606605	606606	606741	606756	606759
1	Inner Pinion Bearing Kit	3	706861X	706060X	706861X	706861X	706861X
2	Seal - Pinion	9	50637	50637	50637	50637	50637
3	Nut - Pinion	11	30271	30271	30271	30271	30271
4	Companion Flange Assembly	12	84678	2-1-3001X	84678	84678	84678
5	KIT - Carrier Cover	-	707105-1X	708082	707105-1X	707105-1X	707105-1X
6	Cover - Carrier	13	42815-2	47717-3	42815-2	42815-2	42815-2
7	Plug - Carrier Cover	15	43181	38637	43181	43181	43181
8	Bolt - Carrier Cover (qty 10)	16	47508-1	34822	47508-1	47508-1	47508-1
9	Differential Bearing Kit	19	707489X	706070X	707489X	707489X	707489X
10	Gear - Differential (std)	24	43913	35079	43913	43913	43913
11	Spacer - Diff Bearing	28	47560(9)	48849(9)	47560(9)	47560(9)	47560(9)
12	Tone Ring (ABS)	29	42929	42929	42929	42929	42929
13	Gear - Differential (t/l)	49	52139	52139	52139	52139	52139

(3) Contact Vehicle Manufacturer

(9) For selection thickness on shims, see "Differential Bearing Adjustment Shim Table" at the back of this catalog.

Ford 70 /267 Rear Variable Parts Listing



Kits & Parts - Use With All Applications							
Description & Item Number (Refer to "Exploded View" at the front of this section)			Bills of Material				
			606803	606867	606925	606975	607024
1	Inner Pinion Bearing Kit	3	706060X	706861X	706861X	706060X	706060X
2	Seal - Pinion	9	50637	50637	50637	50637	50637
3	Nut - Pinion	11	30271	30271	30271	30271	30271
4	Companion Flange Assembly	12	84682	84678	2010948	84682	84682
5	KIT - Carrier Cover	-	708082-1	707105-1X	707105-1X	708082-1	708082-1
6	Cover - Carrier	13	47717-3	42815-2	42815-2	47717-3	47717-3
7	Plug - Carrier Cover	15	38637	43181	43181	38637	38637
8	Bolt - Carrier Cover (qty 10)	16	34822	47508-1	47508-1	34822	34822
9	Differential Bearing Kit	19	706070X	707489X	707489X	706070X	706070X
10	Gear - Differential (std)	24	35079	43913	43913	35079	35079
11	Spacer - Diff Bearing	28	48849(9)	47560(9)	47560(9)	48849(9)	48849(9)
12	Tone Ring (ABS)	29	42929	42929	42929	42929	42929
13	Gear - Differential (t/l)	49	52139	52139	52139	52139	52139

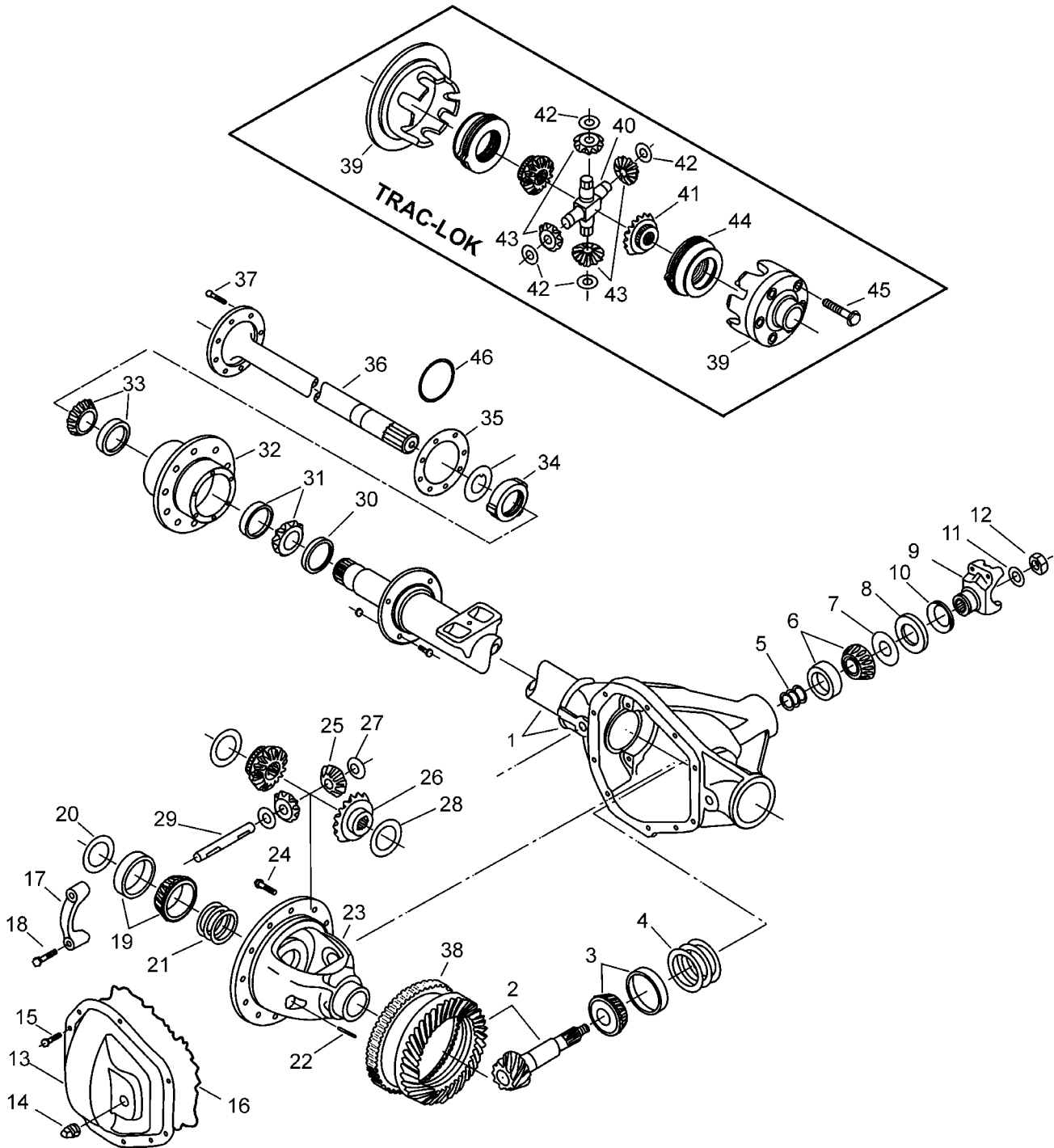
(3) Contact Vehicle Manufacturer

(9) For selection thickness on shims, see "Differential Bearing Adjustment Shim Table" at the back of this catalog.

NOTES

**Model 80 /286
Rear Axles for
E-350, E-450, F-250, F-350,
F-450 & F53 Motor Home**

Ford 80 /286 Rear Exploded View



Ford 80 /286 Rear Parts Listing

ITEM NO.	PART NUMBER	DESCRIPTION	ITEM NO.	PART NUMBER	DESCRIPTION
1	-(3)	Housing - Axle Service	23	-(1)	Case - Differential (std)
2	-(1)	Drive Pinion & Gear Kit	24	42433	Bolt - Drive Gear (qty 12)
3	-(2)	Inner Pinion Bearing Kit	25	42413	Pinion - Differential (std)
	707480X	PKG - Pinion Brg Adj Shim (inc 4, 5, 11, 12)	26	-(2)	Gear - Differential (std)
	707481X	PKG - Diff & Pinion Shim (inc 4, 5, 11, 12, 20)	27	35082	Thrustwasher - Diff Pinion (std)
4	-(4)	Inner Pinion Adj Shims	28	34729	Thrustwasher - Diff Gear (std)
5	-(4)	Outer Pinion Adj Shims	29	46640	Shaft - Differential (std)
6	707064X	KIT - Outer Pinion Bearing	30	-(2)	Seal - Oil (Inner Wheel)
7	42430	Thrustwasher - Bearing	31	-(2)	Bearing Cone - Inner Wheel
8	-(2)	Seal - Pinion		-(3)	Bearing Cup - Inner Wheel
9	-(2)	End Yoke or Comp.Flange (inc 10)	32	-(3)	Hub & Rotor Assembly
10	-(2)	Slinger	33	-(2)	Bearing Cone - Outer Wheel
11	37104	Washer - Pinion Nut		-(3)	Bearing Cup - Outer Wheel
12	2001855	Nut - Pinion	34	-(2)	Retainer - Wheel Bearing (RH)
	-(2)	KIT - Carrier Cover (inc 13, 14, 15)		-(2)	Retainer - Wheel Bearing (LH)
13	-(2)	Cover - Carrier	35	-(2)	Gasket
14	38637	Plug - Carrier Cover	36	-(1)	Shaft - Axle
15	-(2)	Bolt - Carrier Cover(qty 10)	37	-(2)	Screw & Lockwasher Assy
16	38615	RTV Silicone Sealant	38	42414	Tone Ring - ABS Only
17	-(3)	Cap - Differential Bearing	39	-(1)	Case - Differential (t/l)
18	48632-1	Bolt - Differential Bearing Cap	40	47802	Shaft - Differential (t/l)
19	706070X	Differential Bearing Kit	41	52139	Gear - Differential (t/l)
20	701133X(9)	KIT - Diff Brg Adj Shim (inc 21)	42	47800	Thrustwasher - Pinion (t/l)
21	44849(10)	Diff Brg Inboard Spacer	43	52141	Pinion - Differential (t/l)
22	47024	Lock - Differential Shaft (std)	44	2003819	KIT - Disc & Plate (t/l)
			45	41610-1	Bolt - Differential Case (t/l)
			48	-(2)	Retainer Ring / O-Ring

- (1) See "Bill of Material Table" on next page
- (2) See "Variable Parts Table" within this section
- (3) Contact Vehicle Manufacturer
- (4) Not Sold Separately
- (5) See Camber/Casting Bushing Table at the back of this catalog.
- (9) 701133X contains bearing preload spacers which can be purchased separately. See Differential Bearing Adjustment Shim Table at the back of this catalog for thickness specifications.
- (10) The bearing cone spacer 44849 can be purchased separately or in kit 707364X. See Differential Bearing Adjustment Shim Table at the back of this catalog for thickness specifications.

Ford 80 /286 Rear Bill of Material Table

Axle			Axle Kits				Shaft & Joint Assy.	
Bill of Material	Diff. Type	Ratio	Ring Gear & Pinion Kit ⁽⁷⁾	Differential			Right Hand Shaft Assy.	Left Hand Shaft Assy.
				Case Assy. Kit ⁽⁸⁾	Case Kit	Inner Parts Kit		
1998 1/2-99 1/2 F-350 Chassis DRW Full Float w/ABS								
605924-1	Standard	3.73	708120-5	708031	708032	707063X	47847-3	47847-4
605924-2	Trac Lok	4.10	708120-6	2003548	708053	2003857	47847-3	47847-4
605924-3	Trac Lok	4.30	708120-7	2003548	708053	2003857	47847-3	47847-4
605925-1	Standard	4.88	708120-10	707394X	707395X	707185X	47852-1	47852-1
605925-2	Ltd Slip	4.88	708120-10	708097	-(3)	-(3)	47852-1	47852-1
605925-3	Standard	5.38	708120-11	707394X	707395X	707185X	47852-1	47852-1
605925-4	Ltd Slip	5.38	708120-11	708097	-(3)	-(3)	47852-1	47852-1
605942-1	Trac Lok	4.10	708120-6	2003548	708053	2003857	47847-1	47847-2
1998 1/2-2000 F-350 Pick-Up DRW-Full Float								
605926-1	Standard	3.73	708120-5	708031	708032	707063X	47847-1	47847-2
605926-2	Trac Lok	4.10	708120-6	2003548	-(3)	2003857	47847-1	47847-2
605926-3	Trac Lok	4.30	708120-7	2003548	-(3)	2003857	47847-1	47847-2
1999 E-350 Super Duty - DRW - Full Float								
606144-1	Standard	4.10	707361-12X	708031	708032	707063X	46930-1	46930-2
606144-3	Standard	4.63	707361-13X	708031	708032	707063X	46930-1	46930-2
1999 1/2 E-450 Super Duty DRW w/ABS								
606217-1	Standard	4.10	707361-12X	708031	708032	707063X	46930-1	46930-2
606217-2	Standard	4.63	707361-13X	708031	708032	707063X	46930-1	46930-2
1999 1/2 F-450 Motor Home DRW-Full Float w/ABS								
605944-1	Standard	5.38	708120-11	707394X	707395X	707185X	47852-1	47852-1
2000 E-450 Super Duty DRW w/ABS								
606321-1	Standard	4.10	707361-12X	708031	708032	707063X	46930-1	46930-2
606321-2	Standard	4.63	707361-13X	708031	708032	707063X	46930-1	46930-2
606321-3	Standard	4.10	707361-12X	708031	708032	707063X	46930-1	46930-2
606321-4	Standard	4.63	707361-13X	708031	708032	707063X	46930-1	46930-2
2000 F-350 Chassis DRW Full Float w/ABS								
606224-1	Standard	3.73	708120-5	708031	707395X	707063X	47847-3	47847-4
606224-2	Trac Lok	4.10	708120-6	2003548	-(3)	2003857	47847-3	47847-4
606224-3	Trac Lok	4.30	708120-7	2003548	-(3)	2003857	47847-3	47847-4
606224-4	Standard	3.73	708120-5	708031	707395X	707063X	47847-3	47847-4
606224-5	Standard	3.73	708120-5	708031	707395X	707063X	47847-3	47847-4
606224-6	Trac Lok	4.10	708120-6	2003548	-(3)	2003857	47847-3	47847-4
606224-7	Trac Lok	4.30	708120-7	2003548	-(3)	2003857	47847-3	47847-4
606227-1	Trac Lok	4.10	708120-6	2003548	-(3)	2003857	47847-1	47847-2
606227-2	Trac Lok	4.10	708120-6	2003548	-(3)	2003857	47847-1	47847-2
2000 F-350 Pick-up DRW-Full Float w/ABS								
606226-1	Standard	3.73	708120-5	708031	707395X	707063X	47847-1	47847-2
606226-2	Trac Lok	4.10	708120-6	2003548	-(3)	2003857	47847-1	47847-2
606226-3	Trac Lok	4.30	708120-7	2003548	-(3)	2003857	47847-1	47847-2
606226-4	Standard	3.73	708120-5	708031	707395X	707063X	47847-1	47847-2
606226-5	Standard	3.73	708120-5	708031	707395X	707063X	47847-1	47847-2
606226-6	Trac Lok	4.10	708120-6	2003548	-(3)	2003857	47847-1	47847-2
606226-7	Trac Lok	4.30	708120-7	2003548	-(3)	2003857	47847-1	47847-2
606263-1	Standard	3.73	708120-5	708031	708032	707063X	47847-1	47847-2
606263-2	Trac Lok	4.10	708120-6	2003548	-(3)	2003857	47847-1	47847-2
606263-3	Trac Lok	4.30	708120-7	2003548	-(3)	2003857	47847-1	47847-2

(3) Contact Vehicle Manufacturer

(7) See Ring Gear & Pinion Kits in XGI Catalog for ratio & tooth combinations.

(8) See Differential Case Assy Kits in XGI Catalog for spline data & ratios.

Ford 80 /286 Rear Bill of Material Table



Axle			Axle Kits				Shaft & Joint Assy.	
Bill of Material	Diff. Type	Ratio	Ring Gear & Pinion Kit ⁽⁷⁾	Differential			Right Hand Shaft Assy.	Left Hand Shaft Assy.
				Case Assy. Kit ⁽⁸⁾	Case Kit	Inner Parts Kit		
2000 F-450 Chassis-DRW-Full Float w/ABS								
606225-1	Standard	4.88	708120-10	707394X	707395X	707185X	47852-1	47852-1
606225-2	Ltd Slip	4.88	708120-10	708097	-(3)	-(3)	47852-1	47852-1
606225-3	Standard	5.38	708120-11	707394X	707395X	707185X	47852-1	47852-1
606225-4	Ltd Slip	5.38	708120-11	708097	-(3)	-(3)	47852-1	47852-1
606225-5	Standard	4.88	708120-10	707394X	707395X	707185X	47852-1	47852-1
606225-6	Ltd Slip	4.88	708120-10	708097	-(3)	-(3)	47852-1	47852-1
606225-7	Standard	5.38	708120-11	707394X	707395X	707185X	47852-1	47852-1
606225-8	Ltd Slip	5.38	708120-11	708097	-(3)	-(3)	47852-1	47852-1
606610-1	Standard	4.88	708120-10	707394X	707395X	707185X	47852-1	47852-1
606610-2	Trac Lok	4.88	708120-10	708097	-(3)	-(3)	47852-1	47852-1
606610-3	Standard	5.38	708120-11	707394X	707395X	707185X	47852-1	47852-1
606610-4	Ltd Slip	5.38	708120-11	708097	-(3)	-(3)	47852-1	47852-1
606610-5	Standard	4.88	708120-10	707394X	707395X	707185X	47852-1	47852-1
606610-6	Ltd Slip	4.88	708120-10	708097	-(3)	-(3)	47852-1	47852-1
606610-7	Standard	5.38	708120-11	707394X	707395X	707185X	47852-1	47852-1
606610-8	Trac Lok	5.38	708120-11	708097	-(3)	-(3)	47852-1	47852-1
606610-9	Standard	4.30	708120-7	707394X	707395X	707185X	47852-1	47852-1
606610-10	Ltd Slip	4.30	708120-7	708097	-(3)	-(3)	47852-1	47852-1
606610-11	Standard	4.30	708120-7	707394X	707395X	707185X	47852-1	47852-1
606610-12	Ltd Slip	4.30	708120-7	708097	-(3)	-(3)	47852-1	47852-1
2000 F-450 Motor Home DRW-Full Float w/ABS								
606228-1	Standard	5.38	708120-11	707394X	707395X	707185X	47852-1	47852-1
606228-2	Standard	5.38	708120-11	707394X	707395X	707185X	47852-1	47852-1
2000 1/2 F-350 Chassis DRW Full Float w/ABS								
606609-1	Standard	3.73	708120-5	708031	707395X	707063X	47847-3	47847-4
606609-2	Trac Lok	4.10	708120-6	2003548	-(3)	2003857	47847-3	47847-4
606609-3	Trac Lok	4.30	708120-7	2003548	-(3)	2003857	47847-3	47847-4
606609-4	Standard	3.73	708120-5	708031	707395X	707063X	47847-3	47847-4
606609-5	Standard	3.73	708120-5	708031	707395X	707063X	47847-3	47847-4
606609-6	Trac Lok	4.10	708120-6	2003548	-(3)	2003857	47847-3	47847-4
606609-7	Trac Lok	4.30	708120-7	2003548	-(3)	2003857	47847-3	47847-4
2000 1/2 F-350 Pick-up DRW-Full Float w/ABS								
606310-1	Standard	3.73	708120-5	708031	708032	707063X	47847-1	47847-2
606310-2	Trac Lok	4.10	708120-6	2003548	-(3)	2003857	47847-1	47847-2
606310-3	Trac Lok	4.30	708120-7	2003548	-(3)	2003857	47847-1	47847-2
2001 F-350 Chassis DRW Full Float w/ABS								
606612-1	Trac Lok	4.10	708120-6	2003548	-(3)	2003857	47847-1	47847-2
606612-2	Trac Lok	4.10	708120-6	2003548	-(3)	2003857	47847-1	47847-2
2001 F-350 Pick-up DRW-Full Float w/ABS								
606611-1	Standard	3.73	708120-5	708031	707395X	707063X	47847-1	47847-2
606611-2	Standard	3.73	708120-5	708031	707395X	707063X	47847-1	47847-2
606611-3	Standard	3.73	708120-5	708031	707395X	707063X	47847-1	47847-2
606614-1	Standard	3.73	708120-5	708031	708032	707063X	47847-1	47847-2
606614-2	Trac Lok	4.10	708120-6	2003548	-(3)	2003857	47847-1	47847-2
606614-3	Trac Lok	4.30	708120-7	2003548	-(3)	2003857	47847-1	47847-2
606614-4	Standard	3.73	708120-5	708031	708032	707063X	47847-1	47847-2
606614-5	Trac Lok	4.10	708120-6	2003548	-(3)	2003857	47847-1	47847-2
606614-6	Trac Lok	4.30	708120-7	2003548	-(3)	2003857	47847-1	47847-2

(3) Contact Vehicle Manufacturer

(7) See Ring Gear & Pinion Kits in XGI Catalog for ratio & tooth combinations.

(8) See Differential Case Assy Kits in XGI Catalog for spline data & ratios.

Ford 80 /286 Rear Bill of Material Table

Axle			Axle Kits				Shaft & Joint Assy.	
Bill of Material	Diff. Type	Ratio	Ring Gear & Pinion Kit ⁽⁷⁾	Differential			Right Hand Shaft Assy.	Left Hand Shaft Assy.
				Case Assy. Kit ⁽⁸⁾	Case Kit	Inner Parts Kit		
2001 F53 Motor Home - Chassis - Full Float w/ABS								
606613-1	Standard	5.38	708120-11	707394X	707395X	707185X	47852-1	47852-1
606613-2	Standard	5.38	708120-11	707394X	707395X	707185X	47852-1	47852-1
2002 F-350 Chassis DRW Full Float w/ABS								
606777-1	Standard	3.73	708120-5	708031	707395X	707063X	47847-3	47847-4
606777-2	Trac Lok	4.10	708120-6	2003548	-(3)	2003857	47847-3	47847-4
606777-3	Trac Lok	4.30	708120-7	2003548	-(3)	2003857	47847-3	47847-4
606777-4	Standard	3.73	708120-5	708031	707395X	707063X	47847-3	47847-4
606777-5	Standard	3.73	708120-5	708031	707395X	707063X	47847-3	47847-4
606777-6	Trac Lok	4.10	708120-6	2003548	-(3)	2003857	47847-3	47847-4
606777-7	Trac Lok	4.30	708120-7	2003548	-(3)	2003857	47847-3	47847-4
606780-1	Trac Lok	4.10	708120-6	2003548	-(3)	2003857	47847-1	47847-2
606780-2	Trac Lok	4.10	708120-6	2003548	-(3)	2003857	47847-1	47847-2
2002 F-350 Pick-up DRW-Full Float w/ABS								
606781-1	Standard	3.73	708120-5	708031	708032	707063X	47847-1	47847-2
606781-2	Trac Lok	4.10	708120-6	2003548	-(3)	2003857	47847-1	47847-2
606781-3	Trac Lok	4.30	708120-7	2003548	-(3)	2003857	47847-1	47847-2
606781-4	Standard	3.73	708120-5	708031	708032	707063X	47847-1	47847-2
606781-5	Trac Lok	4.10	708120-6	2003548	-(3)	2003857	47847-1	47847-2
606781-6	Trac Lok	4.30	708120-7	2003548	-(3)	2003857	47847-1	47847-2
2002 F-450 Chassis-DRW-Full Float w/ABS								
606778-1	Standard	4.88	708120-10	707394X	707395X	707185X	47852-1	47852-1
606778-2	Ltd Slip	4.88	708120-10	708097	-	-	47852-1	47852-1
606778-3	Standard	5.38	708120-11	707394X	707395X	707185X	47852-1	47852-1
606778-4	Ltd Slip	5.38	708120-11	708097	-	-	47852-1	47852-1
606778-5	Standard	4.88	708120-10	707394X	707395X	707185X	47852-1	47852-1
606778-6	Ltd Slip	4.88	708120-10	708097	-	-	47852-1	47852-1
606778-7	Standard	5.38	708120-11	707394X	707395X	707185X	47852-1	47852-1
606778-8	Ltd Slip	5.38	708120-11	708097	-	-	47852-1	47852-1
606778-9	Standard	4.30	708120-7	707394X	707395X	707185X	47852-1	47852-1
606778-10	Ltd Slip	4.30	708120-7	708097	-	-	47852-1	47852-1
606778-11	Standard	4.30	708120-7	707394X	707395X	707185X	47852-1	47852-1
606778-12	Ltd Slip	4.30	708120-7	708097	-	-	47852-1	47852-1
2002 F53 Motor Home - Chassis - Full Float w/ABS								
606779-1	Standard	5.38	708120-11	707394X	707395X	707185X	47852-1	47852-1
606779-2	Standard	5.38	708120-11	707394X	707395X	707185X	47852-1	47852-1
2002 1/2 F-350 Chassis DRW Full Float w/ABS								
606773-1	Standard	3.73	708120-5	708031	707395X	707063X	47847-3	47847-4
606773-2	Trac Lok	4.10	708120-6	2003548	-(3)	2003857	47847-3	47847-4
606773-3	Trac Lok	4.30	708120-7	2003548	-(3)	2003857	47847-3	47847-4
606773-4	Standard	3.73	708120-5	708031	707395X	707063X	47847-3	47847-4
606773-5	Standard	3.73	708120-5	708031	707395X	707063X	47847-3	47847-4
606773-6	Trac Lok	4.10	708120-6	2003548	-(3)	2003857	47847-3	47847-4
606773-7	Trac Lok	4.30	708120-7	2003548	-(3)	2003857	47847-3	47847-4
606774-1	Trac Lok	4.10	708120-6	2003548	-(3)	2003857	47847-1	47847-2
606774-2	Trac Lok	4.10	708120-6	2003548	-(3)	2003857	47847-1	47847-2

(3) Contact Vehicle Manufacturer

(7) See Ring Gear & Pinion Kits in XGI Catalog for ratio & tooth combinations.

(8) See Differential Case Assy Kits in XGI Catalog for spline data & ratios.

Ford 80 /286 Rear Bill of Material Table



Axle			Axle Kits				Shaft & Joint Assy.	
Bill of Material	Diff. Type	Ratio	Ring Gear & Pinion Kit ⁽⁷⁾	Differential			Right Hand Shaft Assy.	Left Hand Shaft Assy.
				Case Assy. Kit ⁽⁸⁾	Case Kit	Inner Parts Kit		
2002 1/2 F-350 Pick-up DRW-Full Float w/ABS								
606728-1	Standard	3.73	708120-5	708031	708032	707063X	47847-1	47847-2
606728-2	Trac Lok	4.10	708120-6	2003548	-(3)	2003857	47847-1	47847-2
606728-3	Trac Lok	4.30	708120-7	2003548	-(3)	2003857	47847-1	47847-2
606728-4	Standard	3.73	708120-5	708031	708032	707063X	47847-1	47847-2
606775-1	Standard	3.73	708120-5	708031	708032	707063X	47847-1	47847-2
606775-2	Trac Lok	4.10	708120-6	2003548	-(3)	2003857	47847-1	47847-2
606775-3	Trac Lok	4.30	708120-7	2003548	-(3)	2003857	47847-1	47847-2
606775-4	Standard	3.73	708120-5	708031	708032	707063X	47847-1	47847-2
606775-5	Trac Lok	4.10	708120-6	2003548	-(3)	2003857	47847-1	47847-2
606775-6	Trac Lok	4.30	708120-7	2003548	-(3)	2003857	47847-1	47847-2
2003 F-350 Chassis DRW Full Float w/ABS								
606726-1	Standard	3.73	708120-5	708031	707395X	707063X	47847-3	47847-4
606726-2	Trac Lok	4.10	708120-6	2003548	-(3)	2003857	47847-3	47847-4
606726-3	Trac Lok	4.30	708120-7	2003548	-(3)	2003857	47847-3	47847-4
606726-4	Standard	3.73	708120-5	708031	707395X	707063X	47847-3	47847-4
606727-1	Trac Lok	4.10	708120-6	2003548	-(3)	2003857	47847-1	47847-2
606837-1	Standard	3.73	708120-5	708031	707395X	707063X	47847-3	47847-4
606837-2	Trac Lok	4.10	708120-6	2003548	-(3)	2003857	47847-3	47847-4
606837-3	Trac Lok	4.30	708120-7	2003548	-(3)	2003857	47847-3	47847-4
2003 F53 Motor Home - Chassis - Full Float w/ABS								
606927-1	Standard	5.38	708120-11	707394X	707395X	707185X	47852-1	47852-1
606927-2	Standard	5.38	708120-11	707394X	707395X	707185X	47852-1	47852-1
2003-05 F-450 Chassis-DRW-Full Float w/ABS								
606990-1	Standard	4.88	708120-10	707394X	707395X	707185X	47852-1	47852-1
606990-2	Ltd Slip	4.88	708120-10	708097	-(3)	-(3)	47852-1	47852-1
606990-3	Standard	5.38	708120-11	707394X	707395X	707185X	47852-1	47852-1
606990-4	Ltd Slip	5.38	708120-11	708097	-(3)	-(3)	47852-1	47852-1
606990-5	Standard	4.88	708120-10	707394X	707395X	707185X	47852-1	47852-1
606990-6	Ltd Slip	4.88	708120-10	708097	-(3)	-(3)	47852-1	47852-1
606990-7	Standard	5.38	708120-11	707394X	707395X	707185X	47852-1	47852-1
606990-8	Ltd Slip	5.38	708120-11	708097	-(3)	-(3)	47852-1	47852-1
2004 F-350 Chassis DRW Full Float w/ABS								
606954-1	Trac Lok	4.10	708120-6	2003548	-(3)	2003857	47847-1	47847-2
2004 F53 Motor Home - Chassis - Full Float w/ABS								
2001323-1	Standard	5.38	708120-11	707394X	707395X	707185X	47852-1	47852-1
2001323-2	Standard	5.38	708120-11	707394X	707395X	707185X	47852-1	47852-1
2005 F-350 Chassis DRW Full Float w/ABS								
2001755-1	Standard	3.73	708120-5	708031	707395X	707063X	47847-3	47847-4
2001755-2	Trac Lok	4.10	708120-6	2003548	-(3)	2003857	47847-3	47847-4
2001755-3	Trac Lok	4.30	708120-7	2003548	-(3)	2003857	47847-3	47847-4
2001755-4	Standard	3.73	708120-5	708031	707395X	707063X	47847-3	47847-4
2001760-1	Trac Lok	4.10	708120-6	2003548	-(3)	2003857	47847-1	47847-2
2002814-1	Standard	3.73	708120-5	708031	707395X	707063X	47847-3	47847-4
2002814-2	Trac Lok	4.10	708120-6	2003548	-(3)	2003857	47847-3	47847-4
2002814-3	Trac Lok	4.30	708120-7	2003548	-(3)	2003857	47847-3	47847-4
2002814-4	Standard	4.10	708120-6	708031	707395X	707063X	47847-3	47847-4

(3) Contact Vehicle Manufacturer

(7) See Ring Gear & Pinion Kits in XGI Catalog for ratio & tooth combinations.

(8) See Differential Case Assy Kits in XGI Catalog for spline data & ratios.

Ford 80 /286 Rear Bill of Material Table

Axle			Axle Kits				Shaft & Joint Assy.	
Bill of Material	Diff. Type	Ratio	Ring Gear & Pinion Kit ⁽⁷⁾	Differential			Right Hand Shaft Assy.	Left Hand Shaft Assy.
				Case Assy. Kit ⁽⁸⁾	Case Kit	Inner Parts Kit		
2005 F-350 Pick-up DRW-Full Float w/ABS								
2001754-1	Standard	3.73	708120-5	708031	708032	707063X	47847-5	47847-6
2001754-2	Trac Lok	4.10	708120-6	2003548	-(3)	2003857	47847-5	47847-6
2001754-3	Trac Lok	4.30	708120-7	2003548	-(3)	2003857	47847-5	47847-6
2001906-1	Standard	3.73	708120-5	708031	708032	707063X	47847-5	47847-6
2001906-2	Trac Lok	4.10	708120-6	2003548	-(3)	2003857	47847-5	47847-6
2001906-3	Trac Lok	4.30	708120-7	2003548	-(3)	2003857	47847-5	47847-6
2001906-4	Standard	4.10	708120-6	708031	708032	707063X	47847-5	47847-6
2003032-1	Standard	3.73	708120-5	708031	708032	707063X	47847-5	47847-6
2003032-2	Trac Lok	4.10	708120-6	2003548	-(3)	2003857	47847-5	47847-6
2003032-3	Standard	4.10	708120-6	708031	708032	707063X	47847-5	47847-6
2003281-1	Trac Lok	4.30	708120-7	2003548	-(3)	2003857	47847-5	47847-6
2003564-1	Trac Lok	4.30	708120-7	2003548	-(3)	2003857	47847-5	47847-6
2003679-1	Trac Lok	4.30	708120-7	2003548	-(3)	2003857	47847-5	47847-6
606824-1	Standard	3.73	708120-5	708031	708032	707063X	47847-1	47847-2
606824-2	Trac Lok	4.10	708120-6	2003548	-(3)	2003857	47847-1	47847-2
606824-3	Trac Lok	4.30	708120-7	2003548	-(3)	2003857	47847-1	47847-2
606965-1	Standard	3.73	708120-5	708031	708032	707063X	47847-5	47847-6
606965-2	Trac Lok	4.10	708120-6	2003548	-(3)	2003857	47847-5	47847-6
606965-3	Trac Lok	4.30	708120-7	2003548	-(3)	2003857	47847-5	47847-6
2005 F53 Motor Home - Chassis - Full Float w/ABS								
2002825-1	Standard	5.38	708120-11	707394X	707395X	707185X	47852-1	47852-1
2002825-2	Standard	5.38	708120-11	707394X	707395X	707185X	47852-1	47852-1
2005-07 F-350 Chassis DRW Full Float w/ABS								
2002626-1	Trac Lok	4.10	708120-6	2003548	-(3)	2003857	2002496-1	2002496-2
2006 F-350 Chassis DRW Full Float w/ABS								
2002830-1	Standard	3.73	708120-5	708031	707395X	707063X	47847-3	47847-4
2002830-2	Trac Lok	4.10	708120-6	2003548	-(3)	2003857	47847-3	47847-4
2002830-3	Trac Lok	4.30	708120-7	2003548	708053	2003857	47847-3	47847-4
2002830-4	Standard	4.10	708120-6	708031	707395X	707063X	47847-3	47847-4
2002832-1	Trac Lok	4.10	708120-6	2003548	-(3)	2003857	47847-1	47847-2
2005580-1	Standard	3.73	708120-5	708031	707395X	707063X	47847-3	47847-4
2005580-2	Trac Lok	4.10	708120-6	2003548	708053	2003857	47847-3	47847-4
2005580-3	Trac Lok	4.30	708120-7	2003548	708053	2003857	47847-3	47847-4
2005580-4	Standard	4.10	708120-6	708031	707395X	707063X	47847-3	47847-4
2005581-1	Trac Lok	4.10	708120-6	2003548	708053	2003857	47847-1	47847-2
2006 F-350 Pick-up DRW-Full Float w/ABS								
2002831-1	Standard	3.73	708120-5	708031	707395X	707063X	47847-5	47847-6
2002831-2	Trac Lok	4.10	708120-6	2003548	-(3)	2003857	47847-5	47847-6
2002831-3	Trac Lok	4.30	708120-7	2003548	-(3)	2003857	47847-5	47847-6
2002831-4	Standard	4.10	708120-6	708031	707395X	707063X	47847-5	47847-6
2005578-1	Standard	3.73	708120-5	708031	708032	707063X	47847-5	47847-6
2005578-2	Trac Lok	4.10	708120-6	2003548	708053	2003857	47847-5	47847-6
2005578-3	Standard	4.10	708120-6	708031	708032	707063X	47847-5	47847-6
2005579-1	Trac Lok	4.30	708120-7	2003548	708053	2003857	47847-5	47847-6

(7) See Ring Gear & Pinion Kits in XGI Catalog for ratio & tooth combinations.

(8) See Differential Case Assy Kits in XGI Catalog for spline data & ratios.

Ford 80 /286 Rear Bill of Material Table



Axle			Axle Kits				Shaft & Joint Assy.	
Bill of Material	Diff. Type	Ratio	Ring Gear & Pinion Kit ⁽⁷⁾	Differential			Right Hand Shaft Assy.	Left Hand Shaft Assy.
				Case Assy. Kit ⁽⁸⁾	Case Kit	Inner Parts Kit		
2006-08 F53 Motor Home - Chassis - Full Float w/ABS								
2004879-1	Standard	5.38	708120-11	707394X	707395X	707185X	47852-1	47852-1
2004879-2	Standard	5.38	708120-11	707394X	707385X	707185X	47852-1	47852-1
2004879-3	Standard	4.88	708120-10	707394X	707395X	707185X	47852-1	47852-1
2004879-4	Standard	4.88	708120-10	707394X	707395X	707185X	47852-1	47852-1
2004879-5	Standard	4.30	708120-7	707394X	707395X	707185X	47852-1	47852-1
2004879-6	Standard	4.30	708120-7	707394X	707395X	707185X	47852-1	47852-1
2007 F-350 Chassis DRW Full Float w/ABS								
2002589-1	Standard	3.73	708120-5	708031	707395X	707063X	2002496-3	2002496-4
2002589-2	Trac Lok	4.10	708120-6	2003548	708053	2003857	2002496-3	2002496-4
2002589-3	Trac Lok	4.30	708120-7	2003548	708053	2003857	2002496-3	2002496-4
2002589-4	Standard	4.10	708120-6	708031	707395X	707063X	2002496-3	2002496-4
2007 F-350 Pick-up DRW-Full Float w/ABS								
2002595-1	Standard	3.73	708120-5	708031	708032	707063X	47847-5	47847-6
2002595-2	Trac Lok	4.10	708120-6	2003548	708053	2003857	47847-5	47847-6
2002595-3	Trac Lok	4.30	708120-7	2003548	708053	2003857	47847-5	47847-6
2002595-4	Standard	4.10	708120-6	708031	708032	707063X	47847-5	47847-6
2007 F53 Motor Home - Chassis - Full Float w/ABS								
2008060-1	Standard	5.38	708120-11	707394X	707385X	707185X	47852-1	47852-1
2008060-2	Standard	4.88	708120-10	707394X	707395X	707185X	47852-1	47852-1
2008 F-350 Chassis DRW Full Float w/ABS								
2006869-1	Standard	3.73	708120-5	708031	707395X	707063X	2002496-3	2002496-4
2006869-2	Trac Lok	4.10	708120-6	2003548	708053	2003857	2002496-3	2002496-4
2006869-3	Trac Lok	4.30	708120-7	2003548	708053	2003857	2002496-3	2002496-4
2006869-4	Standard	4.10	708120-6	708031	707395X	707063X	2002496-3	2002496-4
2006869-5	Standard	3.73	708120-5	708031	707395X	707063X	2002496-3	2002496-4
2006869-6	Trac Lok	4.10	708120-6	2003548	708053	2003857	2002496-3	2002496-4
2006871-1	Trac Lok	4.10	708120-6	2003548	708053	2003857	2002496-1	2002496-2
2008 F-350 Pick-up DRW-Full Float w/ABS								
2006870-1	Standard	3.73	708120-5	708031	708032	707063X	2002496-5	2002496-6
2006870-2	Trac Lok	4.10	708120-6	2003548	708053	2003857	2002496-5	2002496-6
2006870-3	Trac Lok	4.30	708120-7	2003548	708053	2003857	2002496-5	2002496-6
2006870-4	Standard	4.10	708120-6	708031	708032	707063X	2002496-5	2002496-6
2006870-5	Trac Lok	3.73	708120-5	2003548	708053	2003857	2002496-5	2002496-6
2009 F-350 Chassis DRW Full Float w/ABS								
2012199-1	Trac Lok	4.10	708120-6	2003548	708053	2003857	2002496-1	2002496-2
2009 F-350 Pick-up DRW-Full Float w/ABS								
2012030-1	Standard	3.73	708120-5	708031	708032	707063X	2002496-5	2002496-6
2012030-2	Trac Lok	4.10	708120-6	2003548	708053	2003857	2002496-5	2002496-6
2012030-3	Trac Lok	4.30	708120-7	2003548	708053	2003857	2002496-5	2002496-6
2012030-4	Standard	4.10	708120-6	708031	708032	707063X	2002496-6	2002496-6
2012030-5	Trac Lok	3.73	708120-5	2003548	708053	2003857	2002496-5	2002496-6

(7) See Ring Gear & Pinion Kits in XGI Catalog for ratio & tooth combinations.

(8) See Differential Case Assy Kits in XGI Catalog for spline data & ratios.

Ford 80 /286 Rear Bill of Material Table

Axle			Axle Kits				Shaft & Joint Assy.	
Bill of Material	Diff. Type	Ratio	Ring Gear & Pinion Kit ⁽⁷⁾	Differential			Right Hand Shaft Assy.	Left Hand Shaft Assy.
				Case Assy. Kit ⁽⁸⁾	Case Kit	Inner Parts Kit		
2009-10 F-350 Chassis DRW Full Float w/ABS								
2012029-1	Standard	3.73	708120-5	708031	707395X	707063X	2002496-3	2002496-4
2012029-2	Trac Lok	4.10	708120-6	2003548	708053	2003857	2002496-3	2002496-4
2012029-3	Trac Lok	4.30	708120-7	2003548	708053	2003857	2002496-3	2002496-4
2012029-4	Standard	4.10	708120-6	708031	707395X	707063X	2002496-3	2002496-4
2012029-5	Standard	3.73	708120-5	708031	707395X	707063X	2002496-3	2002496-4
2012029-6	Trac Lok	4.10	708120-6	2003548	708053	2003857	2002496-3	2002496-4
2010-11 F-350 Chassis DRW Full Float w/ABS								
2013831-1	Standard	3.73	708120-5	708031	707395X	707063X	2002496-3	2002496-4
2013831-2	Ltd Slip	4.10	708120-6	2014114(3)	-(3)	-(3)	2002496-3	2002496-4
2013831-3	Ltd Slip	4.30	708120-7	2014114(3)	-(3)	-(3)	2002496-3	2002496-4
2013833-1	Trac Lok	4.10	708120-6	2003548	708053	2003857	2002496-1	2002496-2
2010-11 F-350 Pick-up DRW-Full Float w/ABS								
2013832-1	Standard	3.73	708120-5	708031	708032	707063X	2002496-5	2002496-6
2013832-3	Trac Lok	4.30	708120-7	2003548	708053	2003857	2002496-5	2002496-6
2013832-5	Trac Lok	3.73	708120-5	2003548	708053	2003857	2002496-5	2002496-6
2011 F-350 Chassis DRW Full Float w/ABS								
2010941-1	Standard	3.73	708120-5	708031	708032	707063X	2002496-3	2002496-4
2010941-2	Ltd Slip	4.10	708120-6	2014114(3)	-(3)	-(3)	2002496-3	2002496-4
2010941-2	Ltd Slip	4.10	708120-6	2014114(3)	-(3)	-(3)	2002496-3	2002496-4
2010941-5	Standard	3.73	708120-5	708031	708032	707063X	2002496-3	2002496-4
2010941-6	Ltd Slip	4.10	708120-6	2014114(3)	-(3)	-(3)	2002496-3	2002496-4
2010943-1	Ltd Slip	4.10	708120-6	2014114(3)	-(3)	-(3)	2002496-1	2002496-2
2011 F-350 Pick-up DRW-Full Float w/ABS								
2010942-1	Standard	3.73	708120-5	708031	708032	707063X	2002496-5	2002496-6
2010942-3	Trac Lok	4.30	708120-7	2014114 (3)	-(3)	-(3)	2002496-5	2002496-6
2010942-5	Trac Lok	3.73	708120-5	2014114 (3)	-(3)	-(3)	2002496-5	2002496-6

(3) Contact Vehicle Manufacturer

(7) See Ring Gear & Pinion Kits in XGI Catalog for ratio & tooth combinations.

(8) See Differential Case Assy Kits in XGI Catalog for spline data & ratios.

Ford 80 /286 Rear Variable Parts Listing

Kits & Parts - Use With All Applications							
Description & Item Number (Refer to "Exploded View" at the front of this section)			Bills of Material				
			2001323	2001754	2001755	2001760	2001906
1	Inner Pinion Bearing Kit	3	707447X	707447X	707447X	707447X	707447X
2	Seal - Pinion	8	51690	51690	51690	51690	51690
3	End Yoke or Comp.Flange (inc 10)	9	84829	84794	84794	84794	84794
4	Slinger	10	84406	84406	84406	84406	84406
5	KIT - Carrier Cover	-	2015251	707479X	707479X	707479X	707479X
6	Cover - Carrier	13	2013064	47717-1	47717-1	47717-1	47717-1
7	Bolt - Carrier Cover(qty 10)	15	47508-3	47508-1	47508-1	47508-1	47508-1
8	Gear - Differential (std)	26	43652	42411	42411	-	42411
9	Seal - Oil (Inner Wheel)	30	54274	2001888	2001888	2001888	2001888
10	Bearing Cone - Inner Wheel	31	566071	2001912	2001912	2001912	2001912
11	Bearing Cone - Outer Wheel	33	550348	565911	565911	565911	565911
12	Retainer - Wheel Bearing (RH)	34	47858	43075	43075	43075	43075
13	Retainer - Wheel Bearing (LH)	-	47858	43075	43075	43075	43075
14	Gasket	35	-	-	-	-	-
15	Screw & Lockwasher Assy	37	45816	45816	45816	45816	45816
16	Retainer Ring / O-Ring	48	47857	47893	47893	47893	47893
			2002589	2002595	2002626	2002814	2002825
1	Inner Pinion Bearing Kit	3	707447X	707447X	707447X	707447X	707447X
2	Seal - Pinion	8	51690	51690	51690	51690	51690
3	End Yoke or Comp.Flange (inc 10)	9	84794	84794	84794	84794	84829
4	Slinger	10	84406	84406	84406	84406	84406
5	KIT - Carrier Cover	-	2003447	2003447	2003447	707479X	2015251
6	Cover - Carrier	13	2002316	2002316	2002316	47717-1	2013064
7	Bolt - Carrier Cover(qty 10)	15	47508-3	47508-3	47508-3	47508-1	47508-3
8	Gear - Differential (std)	26	42411	42411	-	42411	43652
9	Seal - Oil (Inner Wheel)	30	47507	47507	47507	47507	54274
10	Bearing Cone - Inner Wheel	31	565906	565906	565906	565906	566071
11	Bearing Cone - Outer Wheel	33	565911	565911	565911	565911	550348
12	Retainer - Wheel Bearing (RH)	34	43075	43075	43075	43075	47858
13	Retainer - Wheel Bearing (LH)	-	43075	43075	43075	43075	47858
14	Gasket	35	-	-	-	-	-
15	Screw & Lockwasher Assy	37	45816	45816	45816	45816	45816
16	Retainer Ring / O-Ring	48	47893	47893	47893	47893	47857
			2002830	2002831	2002832	2003032	2003281
1	Inner Pinion Bearing Kit	3	707447X	707447X	707447X	707447X	707447X
2	Seal - Pinion	8	51690	51690	51690	51690	51690
3	End Yoke or Comp.Flange (inc 10)	9	84794	84794	84794	84794	84794
4	Slinger	10	84406	84406	84406	84406	84406
5	KIT - Carrier Cover	-	707479X	707479X	707479X	707479X	2003447
6	Cover - Carrier	13	47717-1	47717-1	47717-1	47717-1	2003216
7	Bolt - Carrier Cover(qty 10)	15	47508-1	47508-1	47508-1	47508-1	47508-3
8	Gear - Differential (std)	26	42411	42411	-	42411	42411
9	Seal - Oil (Inner Wheel)	30	2001888	2001888	2001888	47507	2001888
10	Bearing Cone - Inner Wheel	31	2002912	2001912	2001912	565906	2001912
11	Bearing Cone - Outer Wheel	33	565911	565911	565911	565911	565911
12	Retainer - Wheel Bearing (RH)	34	43075	43075	43075	43075	43075
13	Retainer - Wheel Bearing (LH)	-	43075	43075	43075	73075	43075
14	Gasket	35	-	-	-	-	-
15	Screw & Lockwasher Assy	37	45816	45816	45816	45816	45816
16	Retainer Ring / O-Ring	48	47893	47893	47893	47893	47893

Ford 80 /286 Rear Variable Parts Listing

Kits & Parts - Use With All Applications							
Description & Item Number (Refer to "Exploded View" at the front of this section)			Bills of Material				
			2003564	2003679	2004879	2005578	2005579
1	Inner Pinion Bearing Kit	3	707447X	707447X	707447X	707447X	707447X
2	Seal - Pinion	8	51690	51690	51690	51690	51690
3	End Yoke or Comp.Flange (inc 10)	9	84794	84794	84829	84794	84794
4	Slinger	10	84406	84406	84406	84406	84406
5	KIT - Carrier Cover	-	2003447	2003447	2015251	707479X	2003447
6	Cover - Carrier	13	2003216	2003216	2013064	47717-1	2003216
7	Bolt - Carrier Cover(qty 10)	15	47508-3	47508-3	47508-3	47508-1	47508-3
8	Gear - Differential (std)	26	42411	42411	43652	42411	42411
9	Seal - Oil (Inner Wheel)	30	47507	2001888	54274	47507	47507
10	Bearing Cone - Inner Wheel	31	565906	2001912	566071	565906	565906
11	Bearing Cone - Outer Wheel	33	565911	565911	550348	565911	565911
12	Retainer - Wheel Bearing (RH)	34	43075	43075	47858	43075	43075
13	Retainer - Wheel Bearing (LH)	-	43075	43075	47858	43075	43075
14	Gasket	35	-	-	-	-	-
15	Screw & Lockwasher Assy	37	45816	45816	45816	45816	45816
16	Retainer Ring / O-Ring	48	47893	47893	47857	47893	47893
			2005580	2005581	2006869	2006870	2006871
1	Inner Pinion Bearing Kit	3	707447X	707447X	707447X	707447X	707447X
2	Seal - Pinion	8	51690	51690	51690	51690	51690
3	End Yoke or Comp.Flange (inc 10)	9	84794	84794	84794	84794	84794
4	Slinger	10	84406	84406	84406	84406	84406
5	KIT - Carrier Cover	-	707479X	707479X	2003447	2003447	2003447
6	Cover - Carrier	13	47717-1	47717-1	2002316	2002316	2002316
7	Bolt - Carrier Cover(qty 10)	15	47508-1	47508-1	47508-3	47508-3	47508-3
8	Gear - Differential (std)	26	42411	-	42411	42411	-
9	Seal - Oil (Inner Wheel)	30	47507	47507	47507	47507	47507
10	Bearing Cone - Inner Wheel	31	565906	565906	565906	565906	565906
11	Bearing Cone - Outer Wheel	33	565911	565911	565911	565911	565911
12	Retainer - Wheel Bearing (RH)	34	43075	43075	43075	43075	43075
13	Retainer - Wheel Bearing (LH)	-	43075	43075	43075	43075	43075
14	Gasket	35	-	-	-	-	-
15	Screw & Lockwasher Assy	37	45816	45816	45816	45816	45816
16	Retainer Ring / O-Ring	48	47893	47893	47893	47893	47893
			2008060	2010941	2010942	2010943	2012029
1	Inner Pinion Bearing Kit	3	707447X	707447X	707447X	707447X	707447X
2	Seal - Pinion	8	51690	51690	51690	51690	51690
3	End Yoke or Comp.Flange (inc 10)	9	84829	84794	84794	84794	84794
4	Slinger	10	84406	84406	84406	84406	84406
5	KIT - Carrier Cover	-	2015251	2013834	2013834	2013834	2003447
6	Cover - Carrier	13	2013064	2012630	2012630	2012630	2002316
7	Bolt - Carrier Cover(qty 10)	15	47508-3	47508-3	47508-3	47508-3	47508-3
8	Gear - Differential (std)	26	43652	42411	42411	-	42411
9	Seal - Oil (Inner Wheel)	30	54274	47507	47507	47507	47507
10	Bearing Cone - Inner Wheel	31	566071	565906	565906	565906	565906
11	Bearing Cone - Outer Wheel	33	550348	565911	565911	565911	565911
12	Retainer - Wheel Bearing (RH)	34	47858	43075	43075	43075	43075
13	Retainer - Wheel Bearing (LH)	-	47858	43075	43075	43075	43075
14	Gasket	35	-	-	-	-	-
15	Screw & Lockwasher Assy	37	45816	45816	45816	45816	45816
16	Retainer Ring / O-Ring	48	47857	47893	47893	47893	47893

Ford 80 /286 Rear Variable Parts Listing

Kits & Parts - Use With All Applications							
Description & Item Number (Refer to "Exploded View" at the front of this section)			Bills of Material				
			2012030	2012199	2013831	2013832	2013833
1	Inner Pinion Bearing Kit	3	707447X	707447X	707447X	707447X	707447X
2	Seal - Pinion	8	51690	51690	51690	51690	51690
3	End Yoke or Comp.Flange (inc 10)	9	84794	84794	84794	84794	84794
4	Slinger	10	84406	84406	84406	84406	84406
5	KIT - Carrier Cover	-	2003447	2003447	2013834	2013834	2013834
6	Cover - Carrier	13	2002316	2002316	2012630	2012630	2012630
7	Bolt - Carrier Cover(qty 10)	15	47508-3	47508-3	47508-3	47508-3	47508-3
8	Gear - Differential (std)	26	42411	-	42411	42411	-
9	Seal - Oil (Inner Wheel)	30	47507	47507	47507	47507	47507
10	Bearing Cone - Inner Wheel	31	565906	565906	565906	565906	565906
11	Bearing Cone - Outer Wheel	33	565911	565911	565911	565911	565911
12	Retainer - Wheel Bearing (RH)	34	43075	43075	43075	43075	43075
13	Retainer - Wheel Bearing (LH)	-	43075	43075	43075	43075	43075
14	Gasket	35	-	-	-	-	-
15	Screw & Lockwasher Assy	37	45816	45816	45816	45816	45816
16	Retainer Ring / O-Ring	48	47893	47893	47893	47893	47893
			605924	605925	605926	605942	605944
1	Inner Pinion Bearing Kit	3	707447X	707447X	707447X	707447X	707447X
2	Seal - Pinion	8	46411	46411	46411	46411	46411
3	End Yoke or Comp.Flange (inc 10)	9	3-4-11081-1X	3-4-11281-1X	3-4-11081-1X	3-4-11081-1X	3-4-11281-1X
4	Slinger	10	231872	231872	231872	231872	231872
5	KIT - Carrier Cover	-	707479X	707478X	707479X	707479X	707478X
6	Cover - Carrier	13	47717-1	47843	47717-1	47717-1	47843
7	Bolt - Carrier Cover(qty 10)	15	34822	47508-3	34822	34822	47508-3
8	Gear - Differential (std)	26	42411	43652	42411	-	43652
9	Seal - Oil (Inner Wheel)	30	47507	47860	47507	47507	47860
10	Bearing Cone - Inner Wheel	31	565906	566071	565906	565906	566071
11	Bearing Cone - Outer Wheel	33	565911	550348	565911	565911	550348
12	Retainer - Wheel Bearing (RH)	34	43075	47858	43075	43075	47858
13	Retainer - Wheel Bearing (LH)	-	43075	47858	43075	43075	47858
14	Gasket	35	-	-	-	-	-
15	Screw & Lockwasher Assy	37	45816	45816	45816	45816	45816
16	Retainer Ring / O-Ring	48	47893	47857	47893	47893	47857
			606144	606217	606224	606225	606226
1	Inner Pinion Bearing Kit	3	707065X	707065X	707447X	707447X	707447X
2	Seal - Pinion	8	46411	46411	46411	46411	46411
3	End Yoke or Comp.Flange (inc 10)	9	76809X	76809X	3-4-11081-1X	3-4-11281-1X	3-4-11081-1X
4	Slinger	10	42432	42432	231872	231872	231872
5	KIT - Carrier Cover	-	707231X	707231X	707479X	707478X	707479X
6	Cover - Carrier	13	42434	42434	47717-1	47843	47717-1
7	Bolt - Carrier Cover(qty 10)	15	34822	34822	34822	47508-3	34822
8	Gear - Differential (std)	26	42411	42411	42411	43652	42411
9	Seal - Oil (Inner Wheel)	30	47507	47507	47507	47860	47507
10	Bearing Cone - Inner Wheel	31	565906	565906	565906	566071	565906
11	Bearing Cone - Outer Wheel	33	565911	565911	565911	550348	565911
12	Retainer - Wheel Bearing (RH)	34	43075	43075	43075	47858	43075
13	Retainer - Wheel Bearing (LH)	-	43075	43075	43075	47858	43075
14	Gasket	35	39697	39697	-	-	-
15	Screw & Lockwasher Assy	37	45720	45720	45816	45816	45816
16	Retainer Ring / O-Ring	48	-	-	47893	47857	47893

Ford 80 /286 Rear Variable Parts Listing

Kits & Parts - Use With All Applications							
Description & Item Number (Refer to "Exploded View" at the front of this section)			Bills of Material				
			606227	606228	606263	606310	606321
1	Inner Pinion Bearing Kit	3	707447X	707447X	707447X	707447X	707065X
2	Seal - Pinion	8	46411	46411	46411	46411	46411
3	End Yoke or Comp.Flange (inc 10)	9	3-4-11081-1X	3-4-11281-1X	3-4-11081-1X	3-4-11081-1X	76809X
4	Slinger	10	231872	231872	231872	231872	42432
5	KIT - Carrier Cover	-	707479X	707478X	707479X	707479X	707231X
6	Cover - Carrier	13	47717-1	47843	47717-1	47717-1	42434
7	Bolt - Carrier Cover(qty 10)	15	34822	47508-3	34822	34822	34822
8	Gear - Differential (std)	26	42411	43652	42411	42411	42411
9	Seal - Oil (Inner Wheel)	30	47507	47860	47507	47507	47507
10	Bearing Cone - Inner Wheel	31	565906	566071	565906	565906	565906
11	Bearing Cone - Outer Wheel	33	565911	550348	565911	565911	565911
12	Retainer - Wheel Bearing (RH)	34	43075	47858	43075	43075	43075
13	Retainer - Wheel Bearing (LH)	-	43075	47858	43075	43075	43075
14	Gasket	35	-	-	-	-	39697
15	Screw & Lockwasher Assy	37	45816	45816	45816	45816	45720
16	Retainer Ring / O-Ring	48	47893	47857	47893	47893	-
			606609	606610	606611	606612	606613
1	Inner Pinion Bearing Kit	3	707447X	707447X	707447X	707447X	707447X
2	Seal - Pinion	8	51690	51690	51690	51690	51690
3	End Yoke or Comp.Flange (inc 10)	9	3-4-9931-1	84829	3-4-9931-1	3-4-9931-1	84829
4	Slinger	10	84406	84406	84406	84406	84406
5	KIT - Carrier Cover	-	707479X	2015251	707479X	707479X	2015251
6	Cover - Carrier	13	47717-1	2013064	47717-1	47717-1	2013064
7	Bolt - Carrier Cover(qty 10)	15	34822	47508-3	34822	34822	47508-3
8	Gear - Differential (std)	26	42411	43652	42411	-	43652
9	Seal - Oil (Inner Wheel)	30	47507	47860	47507	47507	47860
10	Bearing Cone - Inner Wheel	31	565906	566071	565906	565906	566071
11	Bearing Cone - Outer Wheel	33	565911	550348	565911	565911	550348
12	Retainer - Wheel Bearing (RH)	34	43075	47858	43075	43075	47858
13	Retainer - Wheel Bearing (LH)	-	43075	47858	43075	43075	47858
14	Gasket	35	-	-	-	-	-
15	Screw & Lockwasher Assy	37	45816	45816	45816	45816	45816
16	Retainer Ring / O-Ring	48	47893	47857	47893	47893	47857
			606614	606726	606727	606728	606773
1	Inner Pinion Bearing Kit	3	707447X	707447X	707447X	707447X	707447X
2	Seal - Pinion	8	51690	51690	51690	51690	51690
3	End Yoke or Comp.Flange (inc 10)	9	3-4-9931-1	84794	84794	84794	84794
4	Slinger	10	84406	84406	84406	84406	84406
5	KIT - Carrier Cover	-	707479X	707479X	707479X	707479X	707479X
6	Cover - Carrier	13	47717-1	47717-1	47717-1	47717-1	47717-1
7	Bolt - Carrier Cover(qty 10)	15	34822	47508-1	47508-1	47508-1	34822
8	Gear - Differential (std)	26	42411	42411	-	42411	42411
9	Seal - Oil (Inner Wheel)	30	47507	47507	47507	47507	47507
10	Bearing Cone - Inner Wheel	31	565906	565906	565906	565906	565906
11	Bearing Cone - Outer Wheel	33	565911	565911	565911	565911	565911
12	Retainer - Wheel Bearing (RH)	34	43075	43075	43075	43075	43075
13	Retainer - Wheel Bearing (LH)	-	43075	43075	43075	43075	43075
14	Gasket	35	-	-	-	-	-
15	Screw & Lockwasher Assy	37	45816	45816	45816	45816	45816
16	Retainer Ring / O-Ring	48	47893	47893	47893	47893	47893

Ford 80 /286 Rear Variable Parts Listing

Kits & Parts - Use With All Applications							
Description & Item Number (Refer to "Exploded View" at the front of this section)			Bills of Material				
			606774	606775	606777	606778	606779
1	Inner Pinion Bearing Kit	3	707447X	707447X	707447X	707447X	707447X
2	Seal - Pinion	8	51690	51690	51690	51690	51690
3	End Yoke or Comp.Flange (inc 10)	9	84794	84794	3-4-9931-1	84829	84829
4	Slinger	10	84406	84406	84406	84406	84406
5	KIT - Carrier Cover	-	707479X	707479X	707479X	2015251	2015251
6	Cover - Carrier	13	47717-1	47717-1	47717-1	2013064	2013064
7	Bolt - Carrier Cover(qty 10)	15	34822	34822	34822	47508-3	47508-3
8	Gear - Differential (std)	26	-	42411	42411	43652	43652
9	Seal - Oil (Inner Wheel)	30	47507	47507	47507	47860	47860
10	Bearing Cone - Inner Wheel	31	565906	565906	565906	566071	566071
11	Bearing Cone - Outer Wheel	33	565911	565911	565911	550348	550348
12	Retainer - Wheel Bearing (RH)	34	43075	43075	43075	47858	47858
13	Retainer - Wheel Bearing (LH)	-	43075	43075	43075	47858	47858
14	Gasket	35	-	-	-	-	-
15	Screw & Lockwasher Assy	37	45816	45816	45816	45816	45816
16	Retainer Ring / O-Ring	48	47893	47893	47893	47857	47857
			606780	606781	606824	606837	606927
1	Inner Pinion Bearing Kit	3	707447X	707447X	707447X	707447X	707447X
2	Seal - Pinion	8	51690	51690	51690	51690	51690
3	End Yoke or Comp.Flange (inc 10)	9	3-4-9931-1	3-4-9931-1	84794	84794	84829
4	Slinger	10	84406	84406	84347	84406	84406
5	KIT - Carrier Cover	-	707479X	707479X	707479X	707479X	2015251
6	Cover - Carrier	13	47717-1	47717-1	47717-1	47717-1	2013064
7	Bolt - Carrier Cover(qty 10)	15	34822	34822	47508-1	47508-1	47508-3
8	Gear - Differential (std)	26	-	42411	42411	42411	43652
9	Seal - Oil (Inner Wheel)	30	47507	47507	47507	47507	54274
10	Bearing Cone - Inner Wheel	31	565906	565906	565906	565906	566071
11	Bearing Cone - Outer Wheel	33	565911	565911	565911	565911	550348
12	Retainer - Wheel Bearing (RH)	34	43075	43075	43075	43075	47858
13	Retainer - Wheel Bearing (LH)	-	43075	43075	43075	43075	47858
14	Gasket	35	-	-	-	-	-
15	Screw & Lockwasher Assy	37	45816	45816	45816	45816	45816
16	Retainer Ring / O-Ring	48	47893	47893	47893	47893	47857
			606954	606965	606990		
1	Inner Pinion Bearing Kit	3	707447X	707447X	707447X		
2	Seal - Pinion	8	51690	51690	51690		
3	End Yoke or Comp.Flange (inc 10)	9	84794	84794	84829		
4	Slinger	10	84406	84406	84406		
5	KIT - Carrier Cover	-	707479X	707479X	2015251		
6	Cover - Carrier	13	47717-1	47717-1	2013064		
7	Bolt - Carrier Cover(qty 10)	15	47508-1	47508-1	47508-3		
8	Gear - Differential (std)	26	-	42411	43652		
9	Seal - Oil (Inner Wheel)	30	47507	47507	54274		
10	Bearing Cone - Inner Wheel	31	565906	565906	566071		
11	Bearing Cone - Outer Wheel	33	565911	565911	550348		
12	Retainer - Wheel Bearing (RH)	34	43075	43075	47858		
13	Retainer - Wheel Bearing (LH)	-	43075	43075	47858		
14	Gasket	35	-	-	-		
15	Screw & Lockwasher Assy	37	45816	45816	45816		
16	Retainer Ring / O-Ring	48	47893	47893	47857		

Ford 28IFS Front Optional Camber/Caster Bushing Chart (round)

CASTER			CAMBER			Part Number	Color
Amount of Caster Correction	Right Side	Left Side	Amount of Camber Correction	Right Side	Left Side		
0° 00'	none	none	0° 00'	none	none	40218	none
0° 00'	none	none	1° 00'	positive (1) negative (2)	positive (1) negative (2)	42981	
1° 00'	positive	do not use	1° 00'	positive (1) negative (2)	do not use	43182	

(1) Arrow out

(2) Arrow in

Ford 28IFS and 35IFS Front Optional Camber/Caster Bushing Chart (hexagonal)

Amount of Caster Correction	Right Side	Left Side	Amount of Camber Correction	Part Number	Color
0° 00'	none	none	0° 00'	43918	Black
0° 00'	none	none	0° 30'	43592	Green
0° 00'	none	none	1° 00'	43919	Red
0° 00'	none	none	1° 30'	43920	Blue

No Arrows

Ford 44IFS and 50IFS Front Optional Camber/Caster Bushing Chart

CASTER			CAMBER			Part Number	Color
Amount of Caster Correction	Right Side	Left Side	Amount of Camber Correction	Right Side	Left Side		
0° 00'	none	none	0° 30'	none	none	42229	none
0° 00'	none	none	1° 00'	none	none	43149	Red
0° 00'	none	none	1° 30'	none	none	43579	Blue
0° 30'			0° 54'	positive (1) negative (2)	positive (1) negative (2)	46580	Black
0° 30'			1° 24'	positive (1) negative (2)	positive (1) negative (2)	46579	Yellow

(1) Arrow out

(2) Arrow in

Ford 50 and 60 Front Optional Camber/Caster Bushing Chart

Amount of Caster Correction	Right Side	Left Side	Amount of Camber Correction	Part Number	Color
0° 00'	none	none	0° 00'	44507	Black
0° 30'	positive	negative	0° 00'	44508	Red
0° 30'	negative	positive	0° 00'	44509	Blue
0° 45'	positive	none	0° 00'	44510	Green
0° 45'	negative	positive	0° 00'	44511	Yellow
0° 00'	positive	negative	0° 30'	50421	Pink
0° 30'	negative	positive	0° 30'	50422	Orange

No Arrows

Notes: The camber can be used for both positive and nevatve applications, unless otherwise noted. For negative camber, point the arrow on the camber adjuster inboard. OPT is for optional bushing.

Differential Bearing Adjustment Shims



Part Number	Thickness	
	MM	Inch
30276		
30276-1*	0.08	0.003
30276-2*	0.13	0.005
30276-3*	0.25	0.010
30276-4*	0.76	0.030

* Included in Kits 707216X and 707276X

Part Number	Thickness	
	MM	Inch
30291		
30291-1*	0.08	0.003
30291-2*	0.13	0.005
30291-3*	0.25	0.010
30291-4*	0.76	0.030

* Included in Kits 701012-1X, 701150X, 707430-1X, 707430-2X, 707430-3X and 708125-1 thru 708125-6

Part Number	Thickness	
	MM	Inch
30797		
30797-1*	0.08	0.003
30797-2*	0.13	0.005
30797-3*	0.25	0.010
30797-4*	0.76	0.030

* Included in Kits 707361-12X and 707361-13X

Part Number	Thickness	
	MM	Inch
34801		
34801-1*	0.36	0.014
34801-2*	0.41	0.016
34801-3*	0.46	0.018
34801-4*	0.51	0.020
34801-5*	0.56	0.022
34801-6*	0.76	0.030
34801-7*	0.38	0.015
34801-8*	0.53	0.021
34801-9*	0.58	0.023
34801-10*	0.25	0.010

* Included in Kit 702013

Part Number	Thickness	
	MM	Inch
42429		
42429-1*	0.36	0.014
42429-2*	0.38	0.015
42429-3*	0.41	0.016
42429-4*	0.45	0.018
42429-5*	0.51	0.020
42429-6*	0.53	0.021
42429-7*	0.56	0.022
42429-8*	0.58	0.023
42429-9*	0.76	0.030

* Included in Kit 707480X

Part Number	Thickness	
	MM	Inch
44453		
44453-130	1.30	0.051
44453-132	1.32	0.052
44453-135*	1.35	0.053
44453-137	1.37	0.054
44453-140*	1.40	0.055
44453-142	1.42	0.056
44453-145*	1.45	0.057
44453-147	1.47	0.058
44453-150*	1.50	0.059
44453-152	1.52	0.060
44453-155*	1.55	0.061
44453-157	1.57	0.062
44453-160*	1.60	0.063
44453-163	1.63	0.064
44453-165*	1.65	0.065
44453-168	1.68	0.066
44453-170*	1.70	0.067
44453-173	1.73	0.068
44453-175*	1.75	0.069
44453-178	1.78	0.070
44453-180*	1.80	0.071
44453-183	1.83	0.072
44453-185*	1.85	0.073
44453-188	1.88	0.074
44453-191	1.91	0.075

* Included in Kit 701112X

Part Number	Thickness	
	MM	Inch
44848		
44848-1	4.61	0.182
44848-2	4.65	0.183
44848-3	4.69	0.185
44848-4	4.72	0.186
44848-5	4.76	0.188
44848-6	4.80	0.189
44848-7	4.84	0.191
44848-8	4.88	0.192
44848-9	4.91	0.194
44848-10	4.95	0.195
44848-11	4.99	0.197
44848-12	5.03	0.198
44848-13	5.07	0.200
44848-14	5.11	0.201
44848-15	5.14	0.203
44848-16*	5.18	0.204
44848-17	5.22	0.206
44848-18*	5.26	0.207
44848-20*	5.33	0.210
44848-21	5.37	0.212
44848-22*	5.41	0.213
44848-23	5.45	0.215
44848-24*	5.41	0.216
44848-25	5.57	0.218
44848-26*	5.51	0.219
44848-27	5.67	0.221
44848-28*	5.61	0.222
44848-29	5.67	0.224
44848-30*	5.71	0.225
44848-31	5.77	0.227
44848-32*	5.71	0.228
44848-33	5.87	0.230
44848-34*	5.81	0.231
44848-35	5.97	0.233
44848-36*	5.91	0.234
44848-37	5.97	0.236
44848-38*	6.01	0.237
44848-39	6.01	0.239
44848-40*	6.11	0.240
44848-41	6.13	0.242

* Included in Kit 701133X

Part Number	Thickness	
	MM	Inch
44849		
44849	0.76	.030

* Included in Kit 707364X

Part Number	Thickness	
	MM	Inch
46950		
46950-89	0.89	0.035
46950-91	0.91	0.036
46950-94	0.94	0.037
46950-97	0.97	0.038
46950-99*	0.99	0.039
46950-102	1.02	0.040
46950-104*	1.04	0.041
46950-107	1.07	0.042
46950-109*	1.09	0.043
46950-112	1.12	0.044
46950-114*	1.14	0.045
46950-117	1.17	0.046
46950-119*	1.19	0.047
46950-122	1.22	0.048
46950-124*	1.24	0.049
46950-127	1.27	0.050
46950-130*	1.30	0.051
46950-132	1.32	0.052
46950-135*	1.35	0.053
46950-137	1.37	0.054
46950-140*	1.40	0.055
46950-142	1.42	0.056
46950-145	1.45	0.057
46950-147	1.47	0.058
46950-150	1.50	0.059

* Included in Kit 707480X

Part Number	Thickness	
	MM	Inch
47560		
47560-241	2.41	0.095
47560-254	2.54	0.100
47560-267	2.67	0.105
47560-279	2.79	0.110
47560-292	2.92	0.115
47560-305	3.05	0.120
47560-318	3.18	0.125
47560-330	3.30	0.130
47560-343	3.43	0.135
47560-356	3.56	0.140
47560-368	3.68	0.145
47560-381	3.81	0.150
47560-394	3.94	0.155
47560-406	4.06	0.160
47560-419	4.19	0.165
47560-432	4.32	0.170
47560-445	4.45	0.175
47560-457	4.57	0.180

Differential Bearing Adjustment Shims

Part Number	Thickness	
	MM	Inch
47561		
47561-76*	0.76	0.030
47561-79*	0.79	0.031
47561-81*	0.81	0.032
47561-84*	0.84	0.033
47561-86*	0.86	0.034
47561-89*	0.89	0.035
47561-91*	0.91	0.036

* Included in Kit 701144X

Part Number	Thickness	
	MM	Inch
47884		
47884-170	1.70	0.067
47884-168	1.68	0.066
47884-165	1.65	0.065
47884-163	1.63	0.064
47884-160	1.60	0.063
47884-157*	1.57	0.062
47884-155	1.55	0.061
47884-152*	1.52	0.060
47884-150	1.50	0.059
47884-147*	1.47	0.058
47884-145	1.45	0.057
47884-142*	1.42	0.056
47884-140	1.40	0.055
47884-137*	1.37	0.054
47884-135	1.35	0.053
47884-132*	1.32	0.052
47884-130	1.30	0.051
47884-127*	1.27	0.050
47884-124	1.24	0.049
47884-122*	1.22	0.048
47884-119	1.19	0.047
47884-117	1.17	0.046
47884-114	1.14	0.045
47884-112	1.12	0.044

* Included in Kit 701161X

Part Number	Thickness	
	MM	Inch
48849		
48849-648	6.48	0.255
48849-635	6.35	0.250
48849-622	6.22	0.245
48849-610	6.10	0.240
48849-597	5.97	0.235
48849-584	5.84	0.230
48849-572	5.72	0.225
48849-559	5.59	0.220
48849-546	5.46	0.215
48849-533	5.33	0.210
48849-521	5.21	0.205
48849-508	5.08	0.200
48849-495	4.95	0.195
48849-483	4.83	0.190
48849-470	4.70	0.185
48849-457	4.57	0.180

Part Number	Thickness	
	MM	Inch
49541		
49541-025*	0.25	0.010
49541-028*	0.28	0.011
49541-030*	0.30	0.012
49541-033*	0.33	0.013
49541-036*	0.36	0.014
49541-038*	0.38	0.015
49541-041*	0.41	0.016
49541-043*	0.43	0.017
49541-046*	0.46	0.018
49541-048*	0.48	0.019
49541-051*	0.51	0.020
49541-102*	1.02	0.040

* Included in Kit 708012

Part Number	Thickness	
	MM	Inch
50330		
50330-135	1.35	0.053
50330-132	1.32	0.052
50330-130	1.30	0.051
50330-127*	1.27	0.050
50330-124	1.24	0.049
50330-122*	1.22	0.048
50330-119	1.19	0.047
50330-117*	1.17	0.046
50330-114	1.14	0.045
50330-112*	1.12	0.044
50330-109	1.09	0.043
50330-107*	1.07	0.042
50330-104	1.04	0.041
50330-102*	1.02	0.040
50330-99	0.99	0.039
50330-97*	0.97	0.038
50330-94	0.94	0.037
50330-91*	0.91	0.036
50330-89	0.89	0.035
50330-86*	0.86	0.034
50330-84	0.84	0.033
50330-81*	0.81	0.032
50330-79	0.79	0.031
50330-76	0.76	0.030

* Included in Kit 703032

Part Number	Thickness	
	MM	Inch
50331		
50331-178	1.78	0.070
50331-175	1.75	0.069
50331-173*	1.73	0.068
50331-170	1.70	0.067
50331-168*	1.68	0.066
50331-165	1.65	0.065
50331-163*	1.63	0.064
50331-160	1.60	0.063
50331-157*	1.57	0.062
50331-155	1.55	0.061
50331-152*	1.52	0.060
50331-150	1.50	0.059
50331-147*	1.47	0.058
50331-145	1.45	0.057
50331-142*	1.42	0.056
50331-140	1.40	0.055
50331-137*	1.37	0.054
50331-135	1.35	0.053
50331-132*	1.32	0.052
50331-130	1.30	0.051
50331-127*	1.27	0.050
50331-124	1.24	0.049
50331-122*	1.22	0.048
50331-119	1.19	0.047

* Included in Kit 702013



SPICER[®]

Drivetrain Products

Axles
Driveshafts
Off-Highway Transmissions

LONG[®]

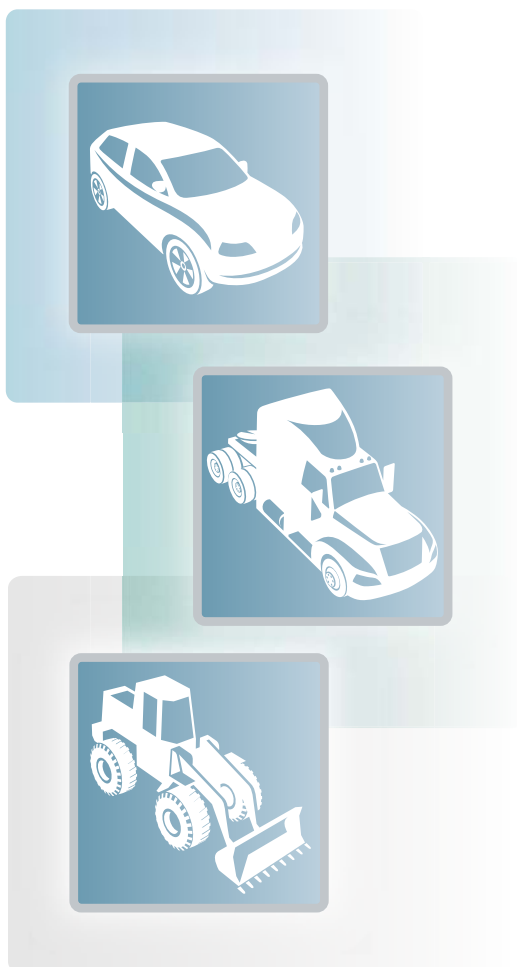
Thermal Products

Transmission Oil Coolers
Engine Oil Coolers

VICTOR REINZ[®]

Sealing Products

Gaskets and Seals
Cylinder-Head Cover Modules
Thermal-Acoustic Protective Shielding



Dana Aftermarket Group
PO Box 321
Toledo, Ohio 43697-0321

Warehouse Distributors: 1.800.621.8084
OE Dealers: 1.877.777.5360

www.spicerparts.com

SPICER[®]

