

CATTLEMAN INSTALLATION SHEET

2015 Ford F-150 Wrap W/cam and Eco Boost

PART # 1307

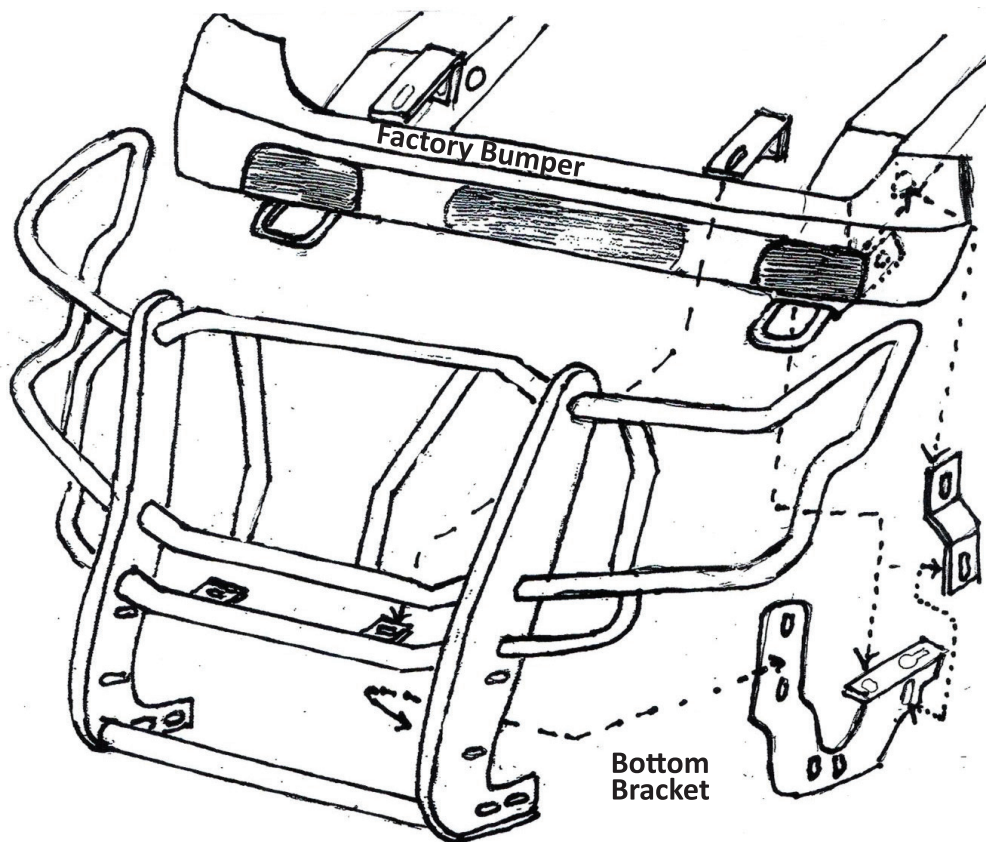
2 - ½ x 6 Bolts	2- 7/16 x 2 bolts
8 - ½ x 1 ½ Bolts	2 - 7/16 Nuts
14 - ½ Nuts	2 - 7/16 Lock Washers
24 - ½ Flat Washers	4 - 7/16 Square Washers

Step 1 For the bottom brackets, remove tow hooks if tow hooks are present. If tow hooks are not present you will have to cut out the plastic to get to the frame factory holes. **Note:** Remove the tow hook cover. You will lose the tow hook cover. Put bottom bracket under center of the tow hook and bolt with the same factory bolt.

Step 2 On the side of the tow hooks there is a hole. Bolt offset bracket to the frame and to the tow hook bolt. The same on the passenger side.

Step 3 Put grill guard in place and bolt on.

Step 4 Check alignment on the grill guard and tighten bolts. You may need to periodically retighten bolts.



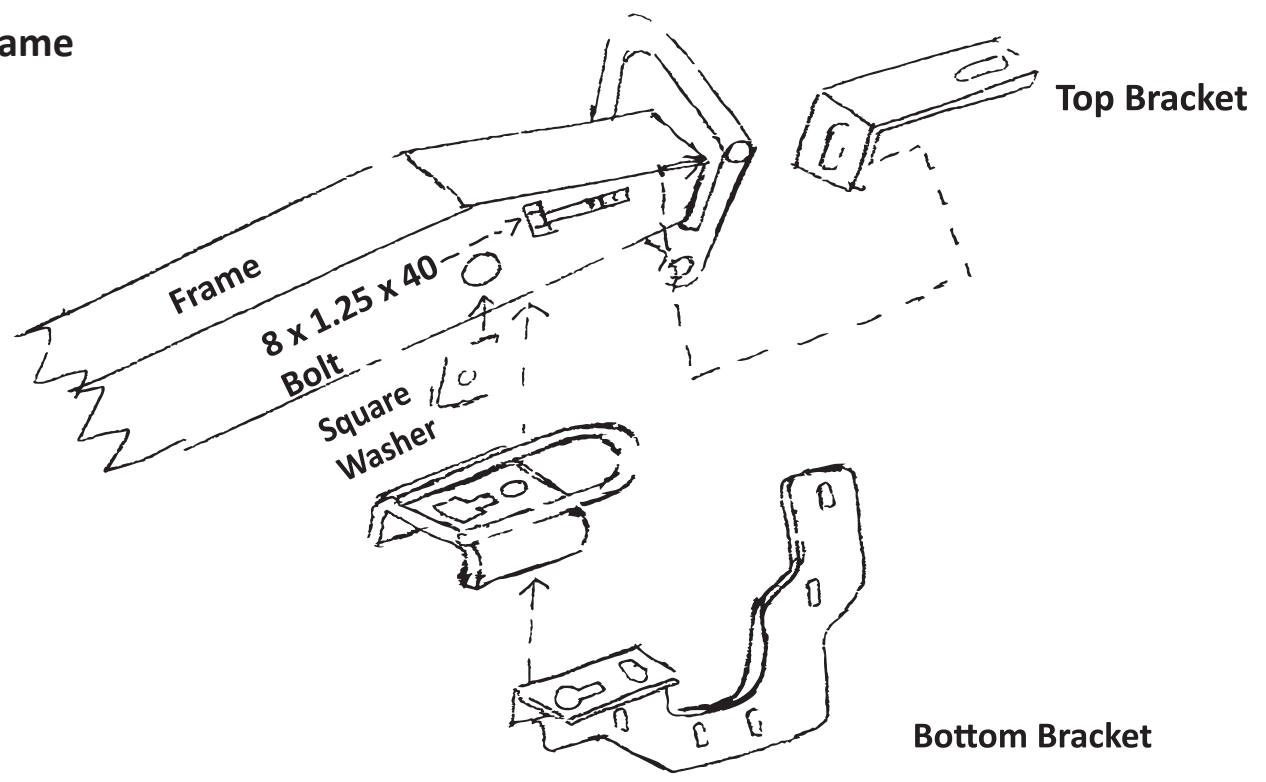
www.cattlemanhd.com



CATTLEMAN INSTALLATION SHEET

PART # 1307

Driver Side:
Inside of the frame



PART # 1307

Driver Side:
Inside of the frame

